



Automation for a Changing World

# Delta Machine Vision System DMV Series



[www.deltaww.com](http://www.deltaww.com)

 **DELTA**  
Smarter. Greener. Together.

# Delta Machine Vision System DMV Series

## High Speed, High Precision, Smart and User-Friendly

The Delta Machine Vision System DMV Series is suitable for various automatic inspections on equipment or production lines, such as quality inspection, positioning guidance, identification, dimension measurement and others. As one of the best systems to facilitate smart manufacturing, Delta's DMV Series covers:

- **DMV1000:** Features a user-friendly interface and requires no complicated settings. With built-in flash timer output control and a simultaneous dual-camera operation function, the DMV1000 greatly reduces the hardware development cost of vision detection systems.

The DMV1000 Series can quickly upload inspection data to PLCs and other host controllers via Ethernet, serial industrial network communication and I/O output, achieving quick integration with various automation systems.

- **DMV2000:** Matches with high-speed CameraLink cameras and various communication protocols, and can be rapidly integrated with external equipment. The DMV2000 supports multi-task inspection with up to four cameras to enhance efficiency and save development cost. As to program editing, the DMV2000 allows users to self-define the operation mode display / interface and offline mode functions to improve the utilization rate and flexibility.
- **DMV3000G:** Provides smart and user-friendly operation interface and adopts GigE cameras to achieve higher transmission speed. The DMV3000G retains the outstanding features of the DMV1000 and DMV2000, and provides a better user experience in different applications.

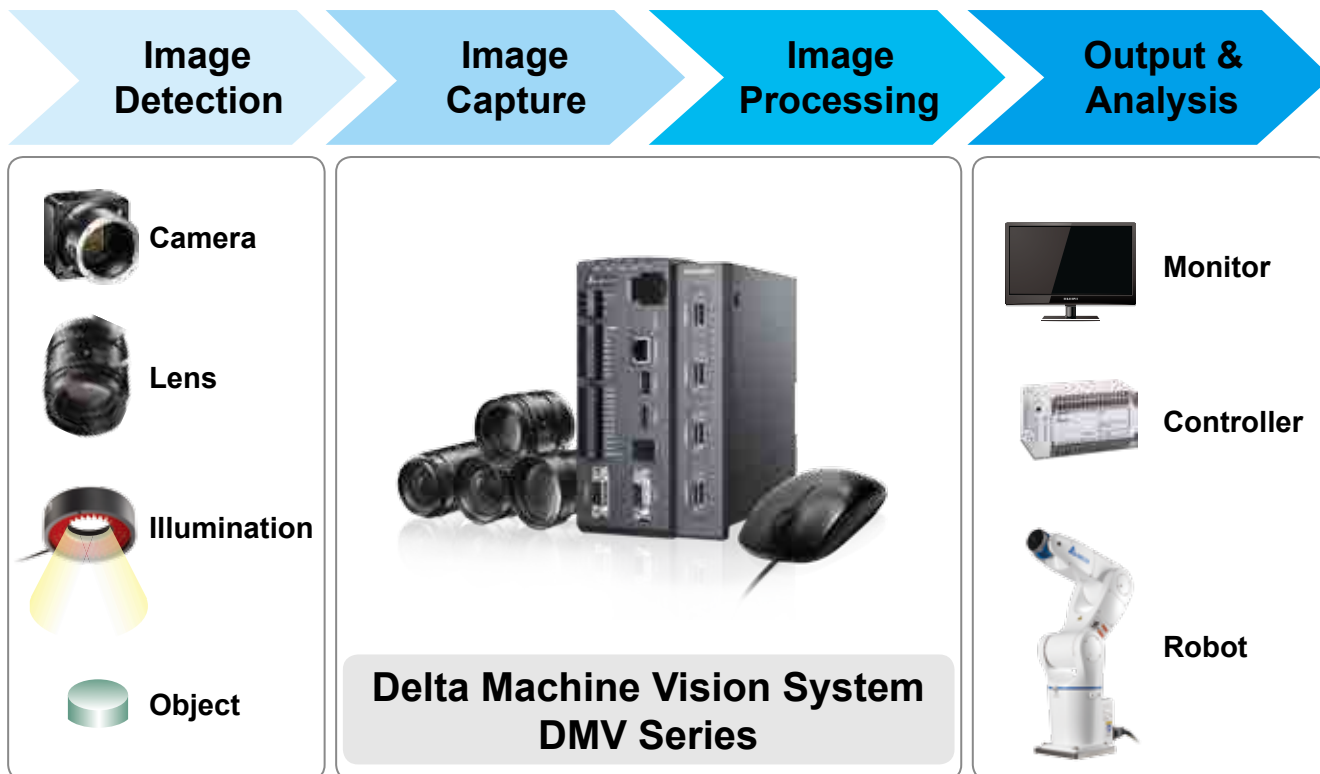
With its advanced vision inspection tools, the DMV Series enhances overall automation production efficiency and product quality for various industries, including machinery, automotive, rubber and plastics, pharmaceuticals, food & beverage, printing, packaging, metal processing, robotic arm integration applications, TFT, semiconductor, solar energy and other electronics industries.



## Index

<b>System Configuration</b>	<b>4</b>
<b>Features:</b>	
DMV3000G	5
DMV2000	6
DMV1000	7
<b>Applications</b>	<b>8</b>
<b>Specifications</b>	<b>12</b>
<b>Product Parts</b>	<b>15</b>
<b>Dimensions</b>	<b>24</b>
<b>Ordering Information</b>	<b>30</b>
<b>Globe Operations</b>	<b>34</b>

## System Configuration



## Major Applications of Machine Vision Systems



### Quality Inspection

Object and defect inspection



### Positioning & Guidance

Cross center positioning, edge positioning, guidance



### Measurement & Counting

Dimension measurement, package/product counting



### Identification

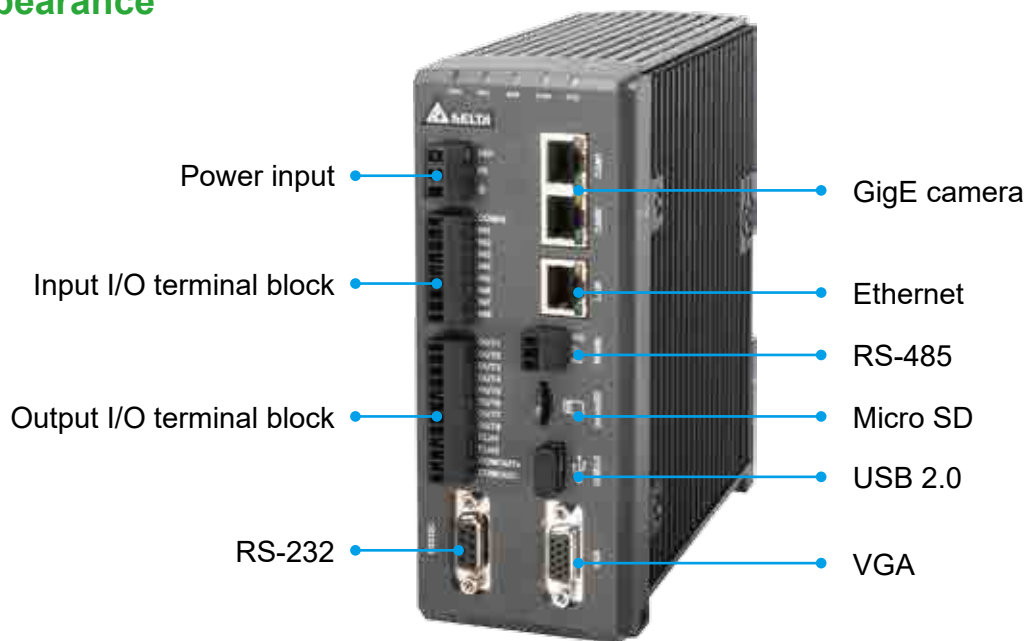
1D/2D barcode and character identification

## Features - DMV3000G

Supports max. 2 color/Mono GigE high speed color cameras for inspection, and transmits/outputs inspection data to other devices via Ethernet, R-232/485, and I/O

- Supports 2 color/monochrome GigE industrial cameras for simultaneous multi-task detection
- Smart and easy setup allows quick inspection project building
- Enhanced inspection speed to increase production efficiency and save cost
- Multiple built-in image inspection tools, saving program development and editing time

## Appearance



## Camera Specifications

Resolution	Level	Frame Rate	Pixel Dimensions (Horizontal x Vertical)	Sensor Size (mm) (Horizontal x Vertical)	Pixel Size (µm)	Lens Mount
0.3M	Mono/Color	180 fps	640×480	1/3.6" (3×2.3)	4.8	C mount
2M	Mono/Color	50 fps	1600×1200	1/1.8" (7.5×5.6)	4.7	C mount

## Applications

Inspection for mobile phone lens quality, disposable coffee filters, and others on automation production lines in logistics, food and beverage packaging, electronics, printing industries and more



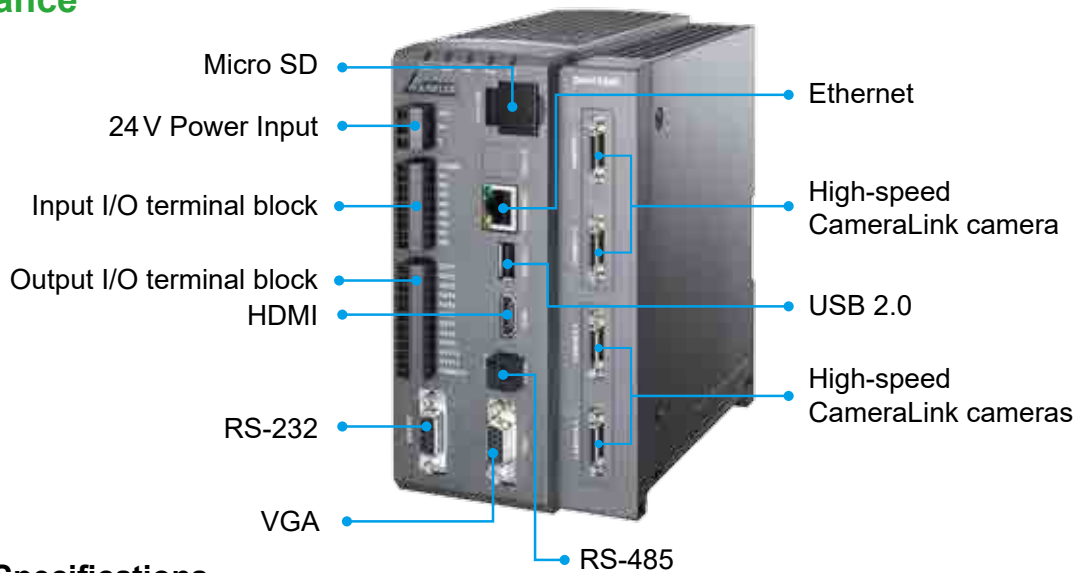


# Features - DMV2000

## Supports max. 4 color/greyscale CameraLink cameras for high-speed inspection tasks

- Improves efficiency and saves development cost: Simultaneous multi-task inspection with 4 cameras
- Reduces development and setup time: Smart operation process, user-friendly interface, multi-function vision development tools, PLC communication function for automatic data exchange
- Flexible configuration: Self-defined operation interface and display
- Multiple communication protocols: Quick connection with external devices
- Fast, stable image capture and transmission: Supports 0.3 M~1.2 M pixels color/monochrome CameraLink cameras for high-speed image capturing

## Appearance



## Camera Specifications

Resolution	Level	Frame Rate	Pixel Dimensions (Horizontal x Vertical)	Sensor Size (mm) (Horizontal x Vertical)	Pixel Size (µm)	Lens Mount
0.3M	Mono / Color	432 fps	642×484	1/3" (4.8×3.6)	7.4	C mount
2M	Mono / Color	333 fps	2048×1088	2/3" (11.26×5.98)	5.5	C mount
4M	Mono / Color	180 fps	2048×2048	1" (11.26×11.26)	5.5	C mount
5M	Mono / Color	35 fps	2448×2058	2/3" (8.4×7.0)	3.45	C mount
12M	Mono / Color	62 fps	4096×3072	1.76" (22.5×16.9)	5.5	F mount

## Applications

Automation production lines, industrial robots, vision guided robotic system (VGRS) and more in food and beverage packaging, electronics, printing and pharmaceutical industries

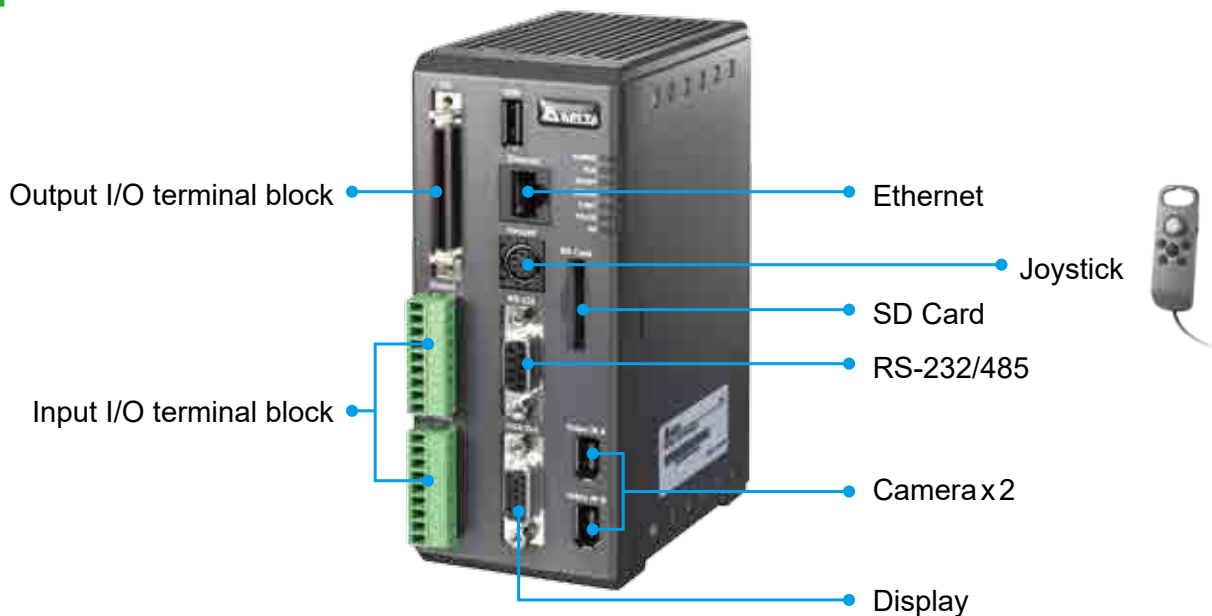


# Features - DMV1000

## Basic machine vision system that supports max. 2 IEEE1394 Mono cameras

- Programs, parameters, inspection images and results recorded and stored in SD cards
- Easy settings and operation with a joystick
- Provides a variety of digital I/O connections, a 9-pin input cord end terminal, a 9-pin output interface terminal, and a 50-pin input/output terminal
- Built-in vision inspection function development tools, no need for complex program editing
- Higher system reliability, better than PC-Based systems
- Compact design saves installation space

## Appearance



## Camera Specifications

Resolution	Level	Frame Rate	Pixel Dimensions (Horizontal x Vertical)	Sensor Size (mm) (Horizontal x Vertical)	Pixel Size (µm)	Lens Mount
0.3 M	Mono	80 fps	640×480	1/3"(4.8×3.6)	7.4	C mount
0.8 M	Mono	30 fps	1024×768	1/3"(4.8×3.6)	4.65	C mount

## Applications

Automation production lines, industrial robots, vision guided robotic system (VGRS) and more in food and beverage packaging, electronics, printing and pharmaceutical industries



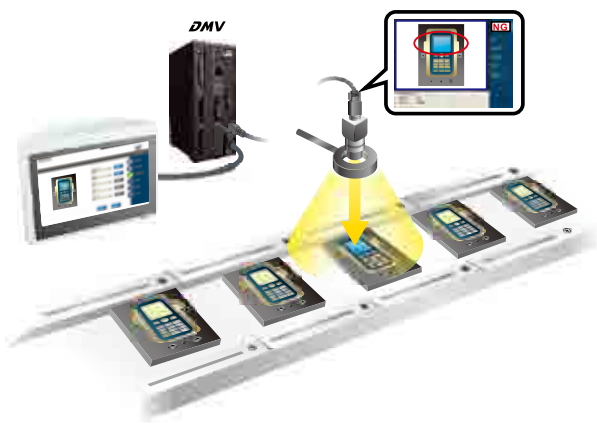
# Applications

## 01 Quality Control

### Object and Defect Inspection

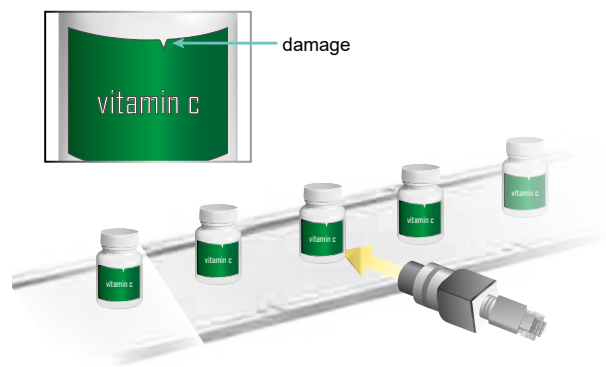
#### Object Inspection

Inspects product appearance such as buttons and touchscreens



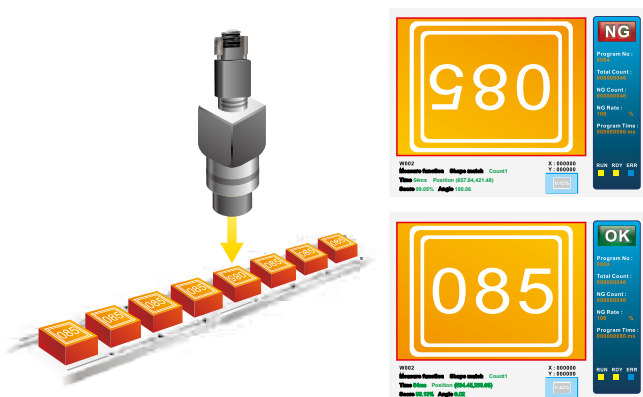
#### Label Inspection

Inspects stains or damage on labels



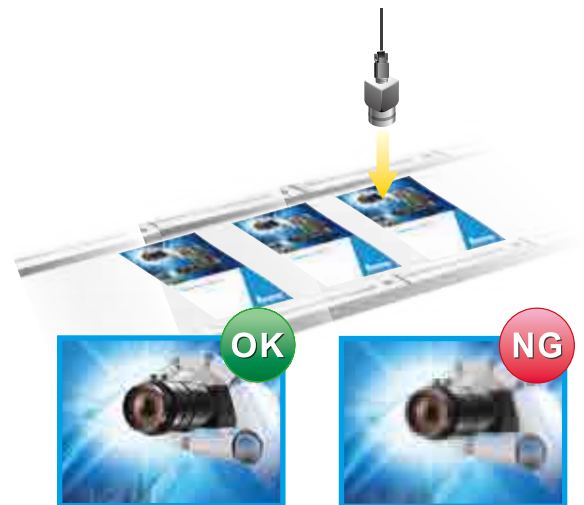
#### Direction Identification

Inspects the direction of workpieces conveyed on a production line



#### Printing Quality Inspection

Inspects pictures or graphs printed on paper or workpieces to ensure quality



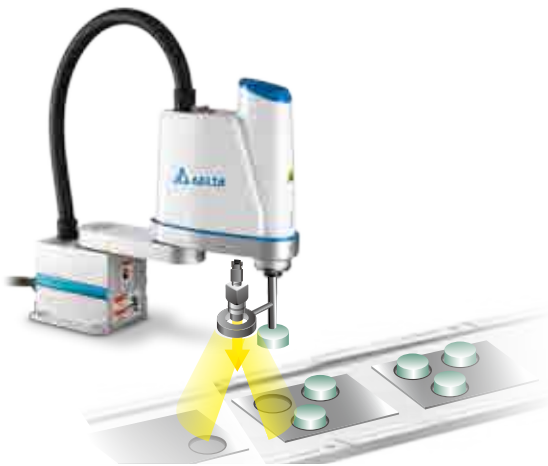


## 02 Positioning & Guidance

### Cross Center Positioning, Edge Positioning, Guidance

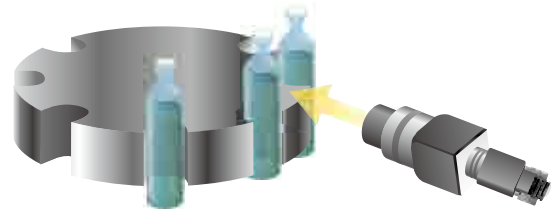
#### Vision Guidance for Robotic Pick-and-Place

Vision guidance for industrial robots to precisely perform workpiece pick-and-place



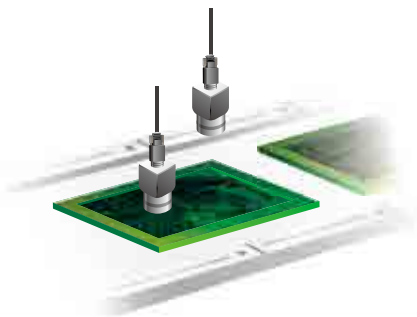
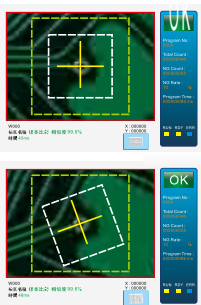
#### Beverage Packing Inspection

Inspects the liquid level of each bottle



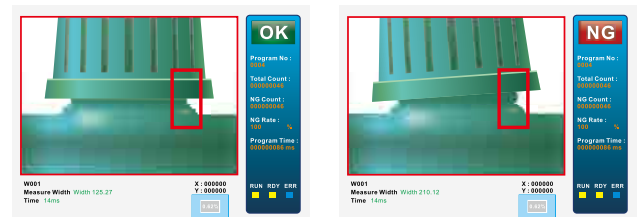
#### Defect Detection

Automatic positioning of PCBs and TFT boards



#### Bottle Cap Position Identification

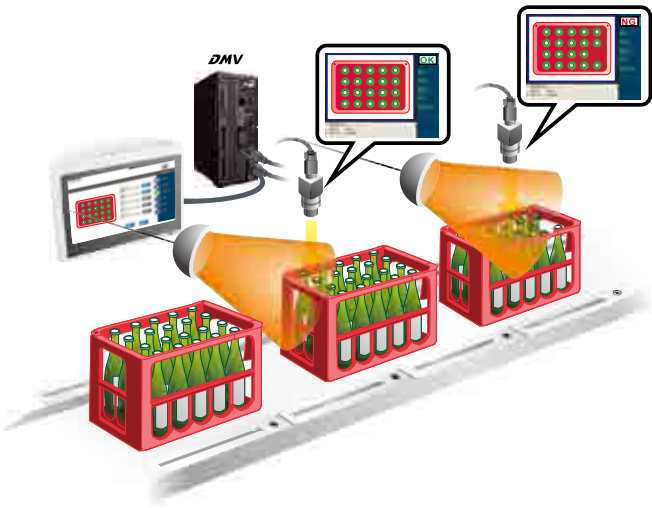
Identifies the bottle capping position



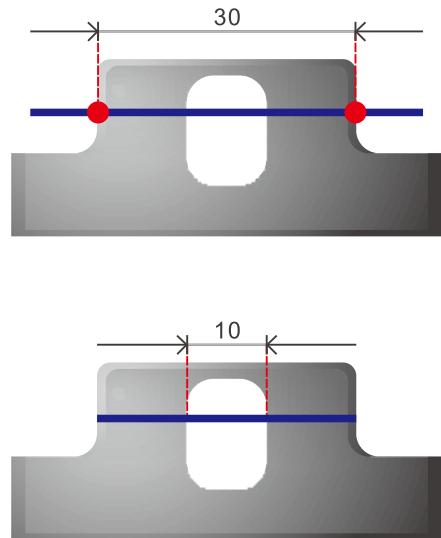
# Applications

## 03 Measurement & Counting

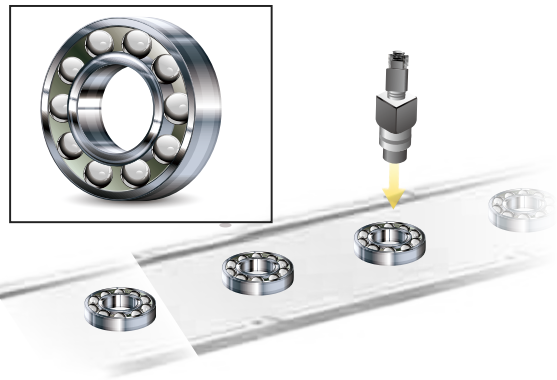
### Object Counting



### Dimensions Measurement



### Bearing Ball Counting



### Pin Number Counting

OK

Program No : 0004

Total Count : 00000046

NG Count : 00000003

NG Rate : 6 %

Program Time : 00000086 ms

W000

Measure function Edge Count Count 1

Time 12ms

X : 000000

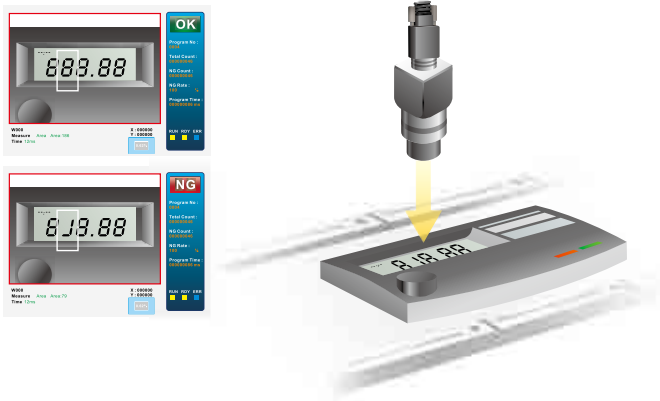
Y : 000000

0.62%

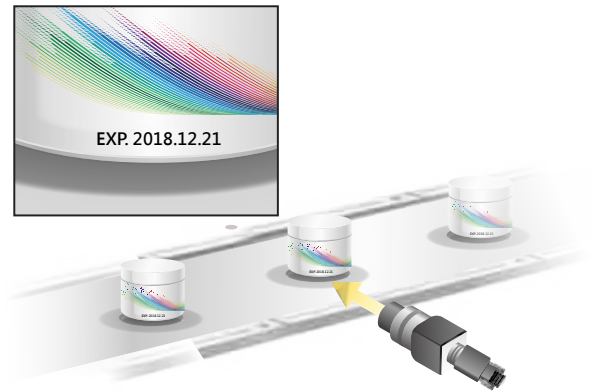
RUN RDY ERR

## 04 Identification

### Optical Character Verification (OCV)



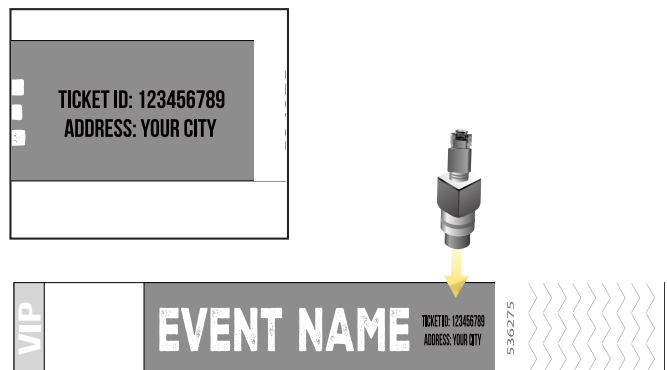
### Production / Expiration Date Inspection



### Barcodes Identification



### Material Printing Correctness Identification



# Specifications

Specifications	DMV3000G	DMV2000	DMV1000
<b>Controllers</b>			
<b>Power Supply</b>	24 V <sub>DC</sub>	24 V <sub>DC</sub>	24 V <sub>DC</sub>
<b>Operation Voltage Range</b>	Rated Voltage 90% ~ 110%	Rated Voltage 90 % ~ 110 %	Rated Voltage 90 % ~ 110 %
<b>Current Consumption</b>	2 camera: below 2.5 A	4 cameras: below 4 A 2 camera: below 3.4 A	2 cameras: below 1A
<b>Vibration Resistance</b>	5~8.4Hz/3.5mm and 8.5~150Hz/1 G for 1 hr; XYZ axes	<ul style="list-style-type: none"> <li>No error: XYZ axes / 10~55Hz/ 10 m/s<sup>2</sup> (1.0G) for 10 mins</li> <li>No damage: XYZ axes / 10~55Hz/ 20 m/s<sup>2</sup> (2.0G) for 2 hrs</li> </ul>	10~55Hz 10 m/s for 10 mins; XYZ axes
<b>Shock Resistance</b>	Max. 15 G XYZ axes / 6 directions, 3 times each	<ul style="list-style-type: none"> <li>No error: 200 m/s<sup>2</sup> (20 G), 6-surface / 3-edge / 1-corner, 3 drops each</li> <li>No damage: 300 m/s<sup>2</sup> (30 G), 6-surface / 3-edge / 1-corner, 3 drops each</li> </ul>	Max. 300 m/s XYZ axes / 6 directions, 3 times each
<b>Operating Ambient Temperature</b>	-10°C ~ 50°C	0°C ~ 45°C	0°C ~ 50°C
<b>Storage Temperature</b>	-30°C ~ 85°C	-20°C ~ 65°C	-20°C ~ 65°C
<b>Operating Relative Humidity</b>	35% ~ 65% RH (non-condensing)	35% ~ 85% RH (with no icing or condensation)	35% ~ 65% RH (non-condensing)
<b>Altitude</b>	Under 2000 m	Under 2000 m	Under 2000 m
<b>Cameras</b>			
<b>Type</b>	Digital color / Mono GigE camera	Digital color / greyscale CameraLink camera	IEEE 1394a digital greyscale camera
<b>Resolution</b>	<ul style="list-style-type: none"> <li>0.3M: 640 (H) x 480 (V), Base: 120 fps</li> <li>2 M: 1600 (H) x 1200 (V), Base: 50 fps</li> </ul>	<ul style="list-style-type: none"> <li>0.3M: 640 (H) x 484 (V), Base: 480 fps</li> <li>2 M: 2048 (H) x 1088 (V), Base: 74 fps, Full: 295 fps</li> <li>4 M: 2048 (H) x 2048 (V), Base: 40 fps, Full: 159 fps</li> <li>5 M: 2448 (H) x 2048 (V), Base: 32 fps, Full: 35 fps</li> <li>12 M: 4096 (H) x 3072 (V), Base: 13 fps, Full: 50 fps</li> </ul>	<ul style="list-style-type: none"> <li>0.3M: 640 (H) x 480 (V), Base: 80 fps</li> <li>0.8M: 1024 (H) x 768 (V), Base: 30 fps</li> </ul>
<b>Shutter Speed</b>	17 μs ~ 1.8 s	25 μs ~ 16.7 s	0.05 ms ~ 1 s or user-defined (16 kinds of speeds)
<b>Lens Mount</b>	C mount	C mount / F mount	C mount
<b>Operation Environment Temperature</b>	0°C ~ 45°C	0°C ~ 45°C	0°C ~ 45°C
<b>Storage Environment Temperature</b>	-20°C ~ 85°C	-20°C ~ 65°C	-30°C ~ 60°C
<b>Weight</b>	Approx. 50 g	Approx. 140 g	Approx. 58 g

Specifications	DMV3000G	DMV2000	DMV1000
<b>Functions</b>			
<b>Number of Cameras Connectable</b>	Max. 2	DMV2000-CL4-HS: Max. 4 DMV2000-CL2-HS: Max. 2	Max. 2
<b>Number of Projects</b>	<ul style="list-style-type: none"> <li>Internal memory: capacity varies according to projects/ up to 1,000</li> <li>Memory card: capacity varies according to projects/ up to 9,999</li> <li>Supports changeover by I/O and communication (RS-232, RS-485, Ethernet)</li> </ul>	<ul style="list-style-type: none"> <li>Internal memory: Approx. 6,000 projects</li> <li>SD card: no capacity limit</li> <li>Supports changeover by I/O and communication (RS-232, RS-485, Ethernet)</li> </ul>	<ul style="list-style-type: none"> <li>32 projects in internal memory</li> <li>68 projects in SD Card</li> <li>Supports changeover by I/O and communication</li> </ul>
<b>Inspection Window</b>			
<b>Q'ty</b>	Max. 128 screens/per process Max. 2 processes/per project	Max. 1,000 screens/per project	Max. 128 screens/per project
<b>ROI Type</b>	Rectangle, circle, polygon, ellipse, ring, sector, rotated rectangle	Rectangle, circle, polygon, ellipse, ring, sector, rotated rectangle	Rectangle, circle, polygon, ellipse, ring, sector, rotated rectangle
<b>Mask Area</b>	8 areas/window	8 areas/window	4 areas/window
<b>Type</b>	Rectangle, circle, polygon, ellipse, ring, sector, rotated rectangle	Rectangle, circle, polygon, ellipse, ring, sector, rotated rectangle	Rectangle, circle, polygon, ellipse, ring, sector, rotated rectangle
<b>Execution Mode</b>	Always execute, never execute, execute according to references	Always execute, never execute	Always execute, never execute, execute according to references
<b>Inspection Units</b>			
<b>Shape</b>	O	O	O
<b>Edge Angle</b>	O	O	O
<b>Edge Count</b>	O	O	O
<b>Edge Pitch</b>	O	O	O
<b>Edge Position</b>	O	O	O
<b>Edge Width</b>	O	O	O
<b>Area</b>	O	O	O
<b>Blob</b>	O	O	O
<b>Intensity</b>	O	O	O
<b>Position Trace</b>	O	O	O
<b>Width Trace</b>	O	O	O
<b>Stain</b>	O	O	O
<b>OCV</b>	O	O	O
<b>Comparison</b>	O	O	X
<b>Color</b>	O	O	X
<b>1D Barcode</b>	O	O	O
<b>2D Barcode</b>	O	O	O
<b>Sorting</b>	X	X	O
<b>Mark</b>	X	X	O
<b>1P Position</b>	X	O	X
<b>Blob Matching</b>	X	O	X

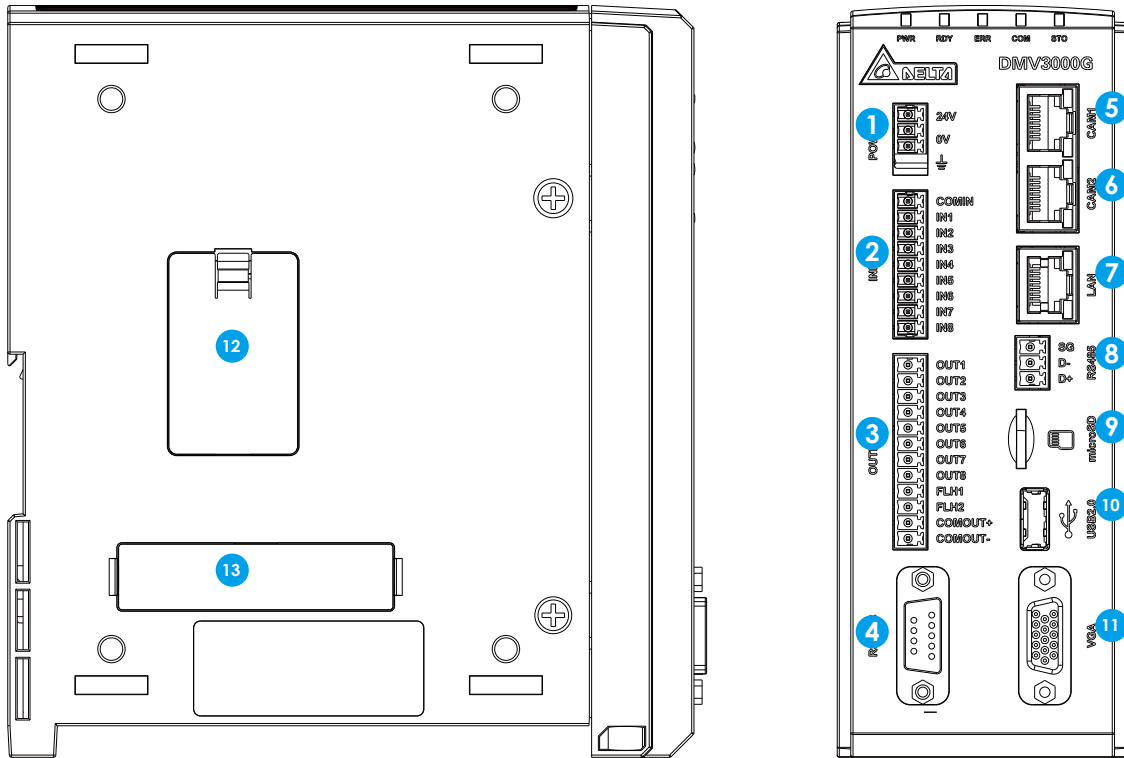


# Specifications

Specifications	DMV3000G	DMV2000	DMV1000
<b>Image Pre-process</b>			
Binarization	O	O	O
Expansion	O	O	O
Erosion	O	O	O
Average	O	O	O
Median	O	O	O
Crispeneing	O	O	O
Laplacian	O	O	O
Sobel X	O	O	O
Sobel Y	O	O	O
Sobel	O	O	O
Prewitt	X	X	O
Roberts	X	X	O
Difference	O	O	O
Color Extraction	O	O	X
Brightness Adjustment	O	O	X
Contrast Enhancement	O	O	X
Shadow Compensation	O	O	X
Top Hat	X	O	X
Bottom Hat	X	O	X
Self-defined Filter	X	O	X
<b>Numerical Calculation</b>			
Q'ty	Max. 1,024/Project	Max. 1,000/Project	32
Arithmetic	Plus, Subtract, Multiply, Divide	Plus, Subtract, Multiply, Divide	Plus, Subtract, Multiply, Divide
Communication Protocols	Configurable input pins: 8 (high speed) Configurable output pins: 11 (high speed) RS-232 (max. 230,400 bps) RS-485 (max. 230,400 bps) Ethernet (10/100/1000 BASE-T)	Configurable input pins: 8 (high speed) Configurable output pins: 11 (high speed) RS-232 (max.115,200 bps) RS-485 (max. 230,400 bps) Ethernet (1000 BASE-T/100 BASE-TX/10 BASE-T)	RS-232 (max. 115,200bps) RS-485 (max. 115,200bps) Ethernet (10/100BASE-T)
<b>Display</b>			
Screen	XGA 1,024×768 output	FHD 1,920×1,080 output	XGA 1,024×768 output
Scale	5%~800% adjustable	5%~1,000% adjustable	20%~200% adjustable
Language	Traditional Chinese, Simple Chinese, English	Traditional Chinese, English	Traditional Chinese, Simple Chinese, English
<b>Operation Interface</b>			
Operation	Mouse (standard 3 keys)	Mouse (standard 3 keys)	Joystick
Camera Flash Control	I/O output control, max. 2 settings	I/O output control, max. 2 settings	I/O output control, max. 2 settings
Memory Card	Micro SD card (max. 32 GB); Class 10	Micro SD card (max. 32 GB); Class 10	SC card (max. 16 GB)

# Product Parts - DMV3000G

## Controller



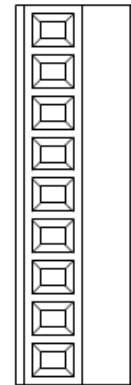
No.	Name	Description
1	Power supply	24 V Power input
2	Input I/O terminal block	Input terminal (9-pin)
3	Output I/O terminal block	Output terminal (12-pin)
4	RS-232 serial port	Supports master/slave serial communication
5	Camera 1 connector	GigE camera connection
6	Camera 2 connector	GigE camera connection
7	Ethernet connector	10/100/1000 BASE-T communication
8	RS-485 serial port	Supports master/slave serial communication
9	Micro SD card slot	Stores the project settings and images backup
10	USB 2.0 connector	Mouse
11	VGA output port	Connects to external VGA monitor
12	Button cell battery slot	Power supply for perpetual calendar operation
13	Expansion module slot	Flash control, expanded I/O

# Product Parts - DMV3000G

## 9-Pin Power Terminal

No.	Name	Description
1	COMIN	9-pin input COM
2	IN1	Camera 1 capture trigger
3	IN2	Camera 2 capture trigger
4	IN3	Test status (no inspection results generated for output)
5	IN4	Trigger disabled (inspection disabled)
6	IN5	Parallel output handshaking flag
7	IN6	System reset
8	IN7	Disable image capture trigger
9	IN8	Controller parallel input handshaking sign

### Default Setting

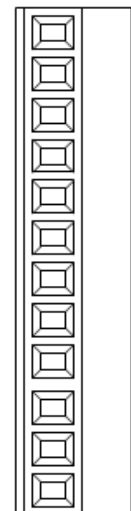


- 1 - COMIN
- 2 - IN1(TRG1)
- 3 - IN2(TRG2)
- 4 - IN3(TEST)
- 5 - IN4(TROFF)
- 6 - IN5(ACK)
- 7 - IN6(RST)
- 8 - IN7(TROFF)
- 9 - IN8(ACK)

## 12-Pin Power Terminal

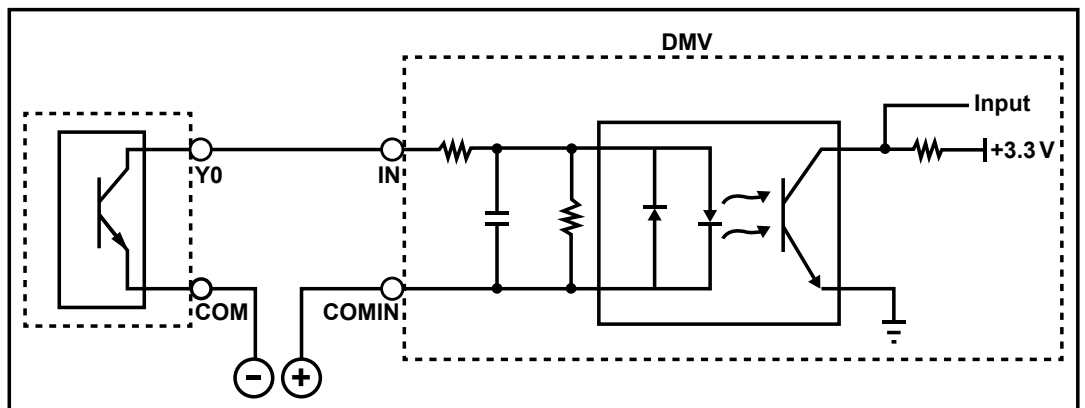
No.	Name	Description
1	OUT1	Flow 1 standby for image capture and inspection output
2	OUT2	Flow 2 standby for image capture and inspection output
3	OUT3	Camera 1 capture complete
4	OUT4	Camera 2 capture complete
5	OUT5	Judgement Result Output 1
6	OUT6	Judgement Result Output 2
7	OUT7	Judgement Result Output 3
8	OUT8	Judgement Result Output 4
9	FLH1	Camera 1 flash output
10	FLH2	Camera 2 flash output
11	COMOUT+	Common output port (Please connect to a positive power supply)
12	COMOUT-	Common output port (Please connect to a negative power supply)

### Default Setting

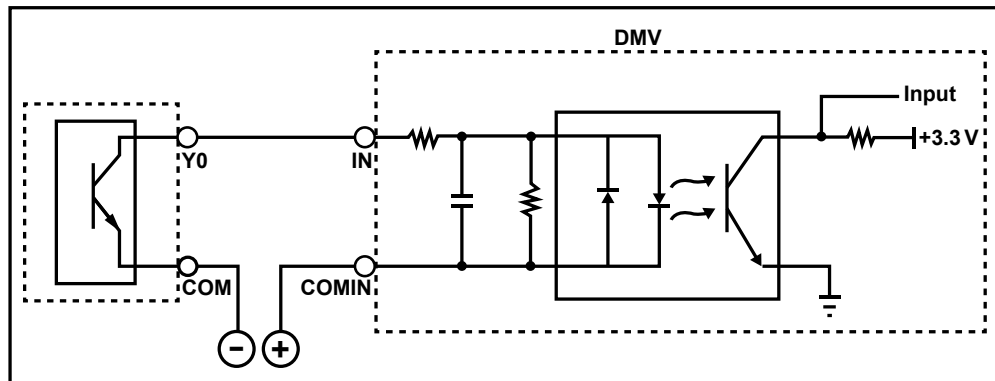


- 1 - OUT1(RDY)
- 2 - OUT2(RDY2)
- 3 - OUT3(REND1)
- 4 - OUT4(REND2)
- 5 - OUT5(TOUT1)
- 6 - OUT6(TOUT2)
- 7 - OUT7(TOUT3)
- 8 - OUT8(TOUT4)
- 9 - FLH1
- 10 - FLH2
- 11 - COMOUT+
- 12 - COMOUT-

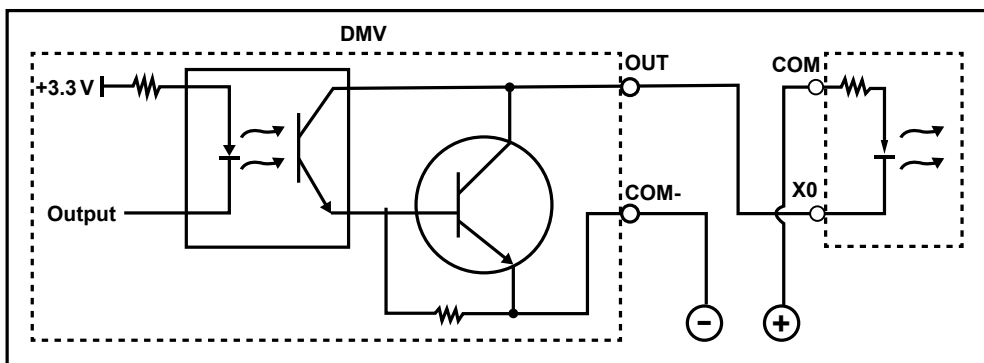
## Input Circuit (NPN)



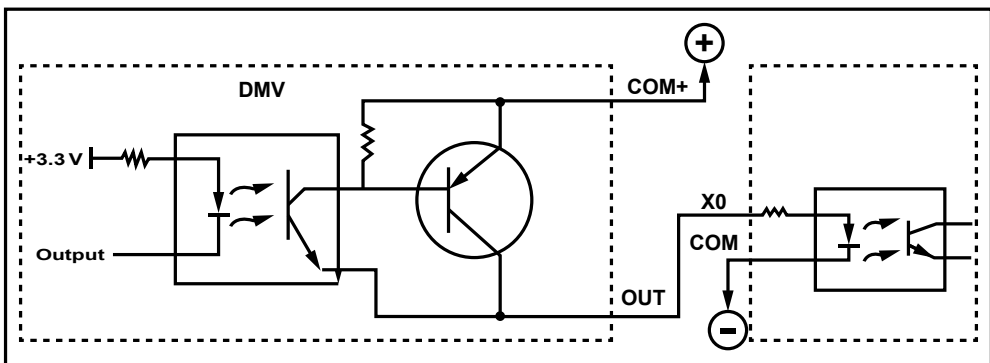
### Input Circuit (PNP Input)



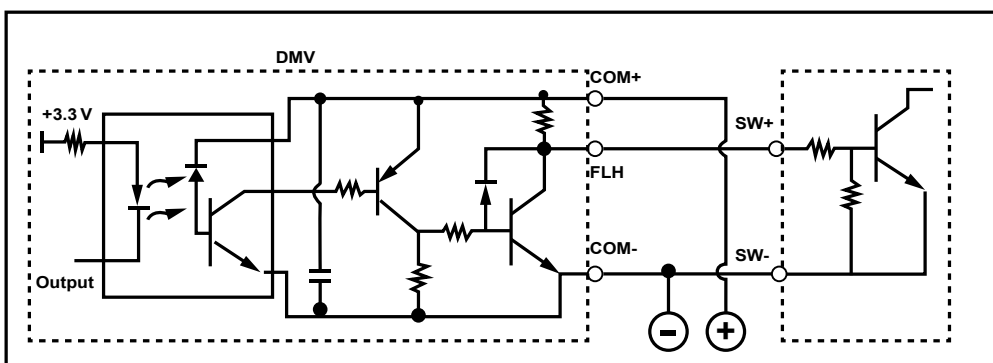
### Output Circuit (NPN Output)



### Input Circuit (PNP Output)

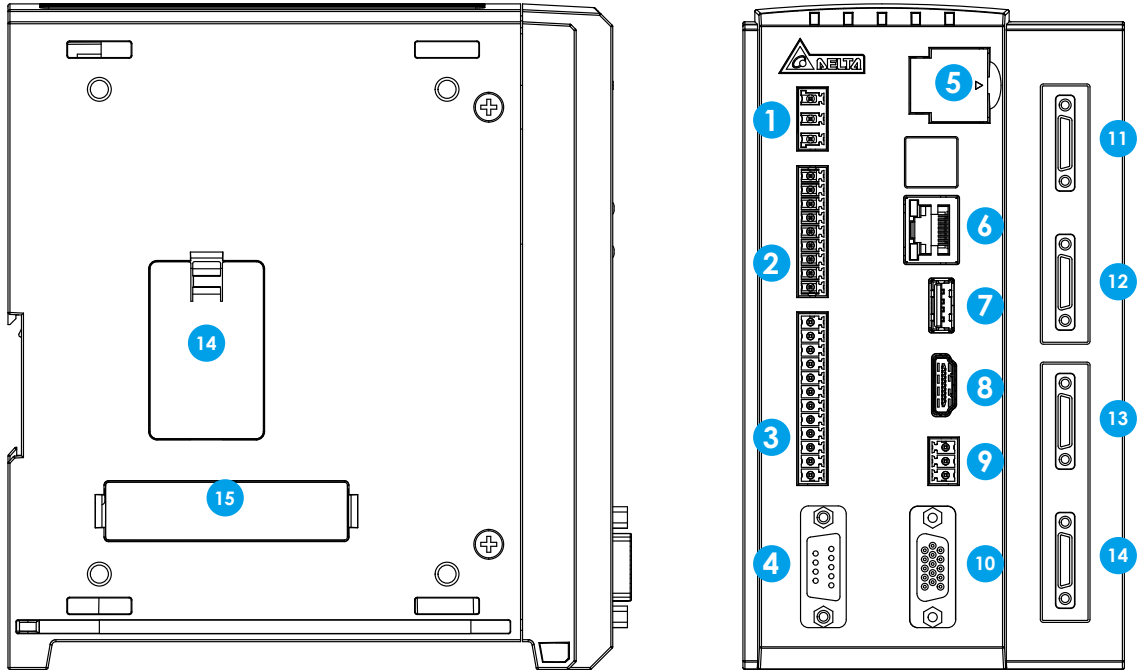


### FLASH Output



# Product Parts - DMV2000

## Controller



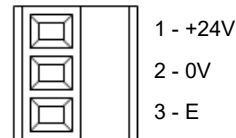
NO.	Name	Description
1	Power input terminal block	24 V power input
2	Input I/O terminal block	Input terminal (9-pin)
3	Output I/O terminal block	Output terminal (12-pin)
4	RS-232 serial port	Supports master/slave serial communication
5	Micro SD card slot	Stores the project settings and images backup
6	Ethernet connector	10/100/1000 BASE-T communication
7	USB 2.0 connector	Mouse
8	HDMI output port	Connects to external HDMI monitor (Resolution: 1,920 x 1,080)
9	RS-485 serial port	Supports master/slave serial communication
10	VGA output port	Connects to external VGA monitor (Resolution: 1,920 x 1,080)
11	Camera 1 connector	Resolution: 0.3M, 2M, 4M, 5M or 12M camera
12	Camera 2 connector	Resolution: 0.3M, 2M, 4M, 5M or 12M camera
13	Camera 3 connector	Resolution: 0.3M, 2M, 4M, 5M or 12M camera
14	Camera 4 connector	Resolution: 0.3M, 2M, 4M, 5M or 12M camera
15	Button cell battery slot	Power supply for perpetual calendar operation
16	Expansion module slot	Camera flash control, expanded I/O



### 3-Pin Power Terminal

NO.	Name	Description
1	+24V	Positive power supply
2	0V	Negative power supply
3	E	Grounding

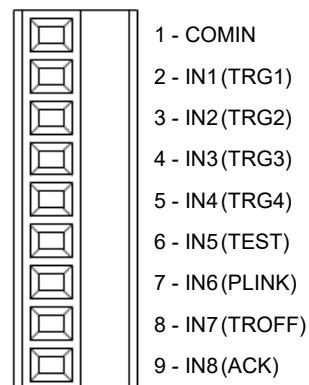
#### Default Setting



### 9-Pin Power Terminal

NO.	Name	Description
1	COMIN	9-pin input COM
2	IN1 (TRG1)	Camera 1 image capture trigger
3	IN2 (TRG2)	Camera 2 image capture trigger
4	IN3 (TRG3)	Camera 3 image capture trigger
5	IN4 (TRG4)	Camera 4 image capture trigger
6	IN5 (TEST)	Test condition (no data output )
7	IN6 (PLINK)	PLC communication link start sign
8	IN7 (TROFF)	Disable image capture trigger
9	IN8 (ACK)	Controller parallel input handshaking sign

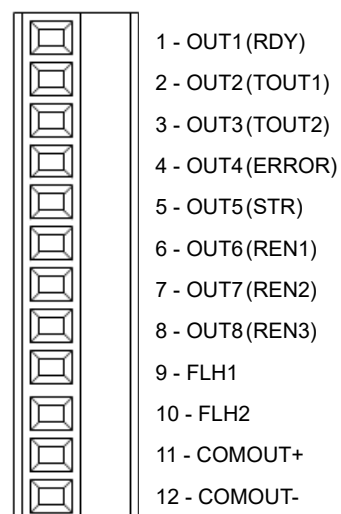
#### Default Setting



### 12-Pin Output

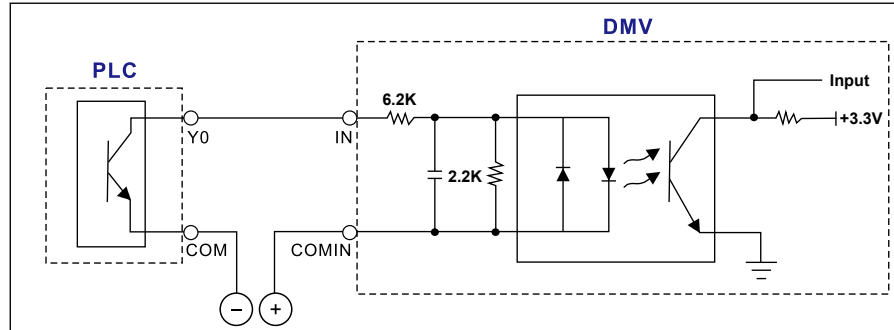
NO.	Name	Description
1	OUT1	Controller standby for image capture and inspection output
2	OUT2	Judgement Result Output 1
3	OUT3	Judgement Result Output 2
4	OUT4	Error indicator
5	OUT5	Parallel output handshake flag
6	OUT6	Camera 1 capture complete
7	OUT7	Camera 2 capture complete
8	OUT8	Camera 3 capture complete
9	FLH1	Camera 2 flash output
10	FLH2	Camera 2 flash output
11	COMOUT+	Common output port (Please connect to a positive power supply)
12	COMOUT-	Common output port, (Please connect to a negative power supply)

#### Default Setting

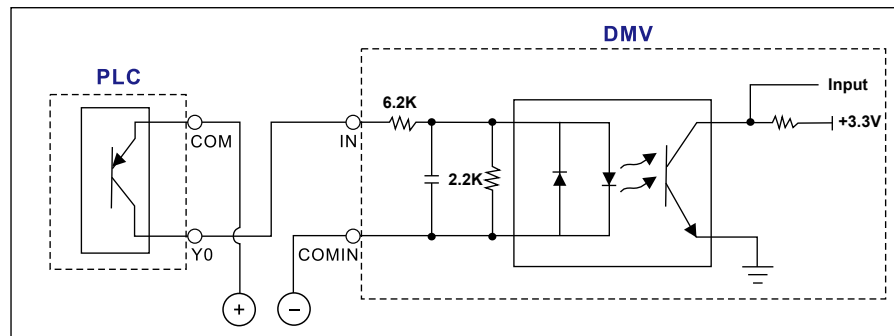


# Product Parts - DMV2000

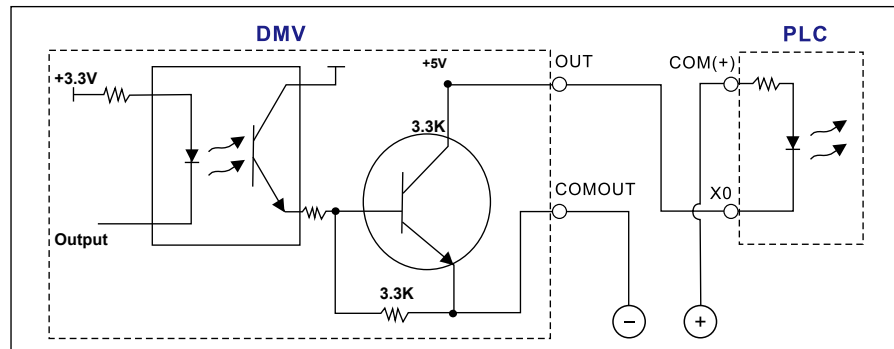
## Input Circuit (NPN Input)



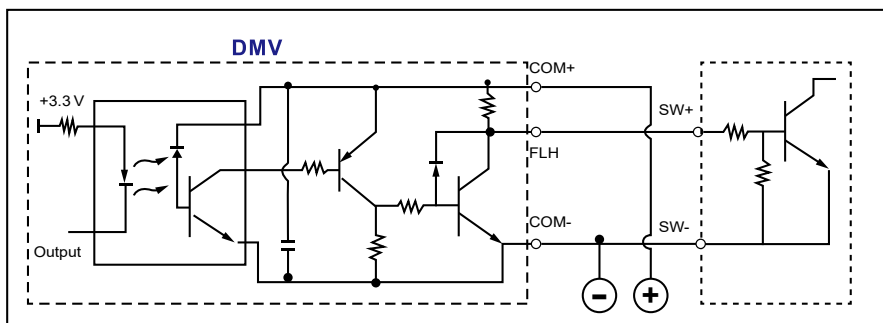
## Input Circuit (PNP Input)



## Output Circuit (NPN Output)



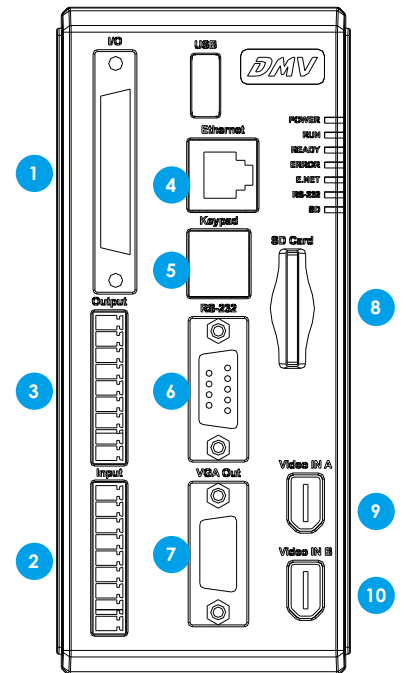
## FLASH Output



# Product Parts - DMV1000

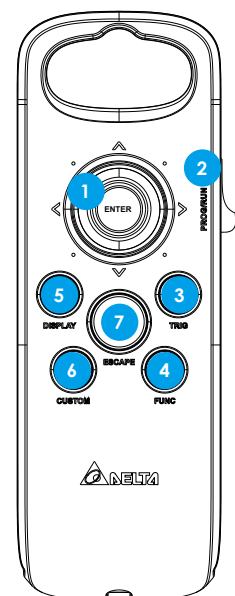
## Controller

NO.	Name	Description
1	Parallel I/O interface	Input/Output
2	Output I/O terminal block	Output
3	Input I/O terminal block	Input
4	Ethernet connector	10/100BASE-T communication
5	Keypad connector	Connect to keypad
6	RS-232/RS-485 serial port	Supports Master/slave serial communication
7	VGA output port	Connects to external VGA monitor made by other manufacturers
8	SD memory card	Stores the project settings and images backup
9	Camera 1 connector	Resolution: 1024×768, 640×480
10	Camera 2 connector	Resolution: 1024×768, 640×480



## Joystick

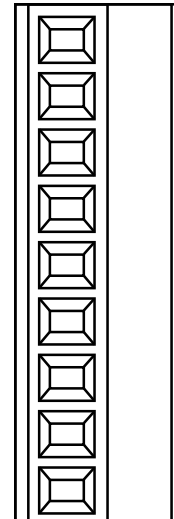
NO.	Name	Description
1	Move and Enter	8 directions selectable and enter setting
2	PROG/RUN	Switches between programming mode and run mode
3	TRIG	Inspection trigger
4	FUNC	Selects different modes during RUN operation
5	DISPLAY	Switches inspection windows of camera 1 and camera 2
6	CUSTOM	Image preprocessing select
7	ESCAPE	Exit key



# Product Parts - DMV1000

## 9-Pin Power Terminal

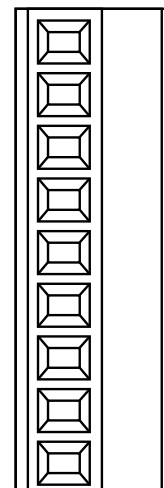
NO.	Name	Description
1	COMIN1	9-pin input COM
2	TRIG1	Camera 1 image capture trigger
3	TRIG2	Camera 2 image capture trigger
4	PLINK	PLC communication link start sign
5	TROFF	Disable image capture trigger
6	TEST	Test condition (no data output)
7	+24V	Positive power supply
8	0V	Negative power supply
9	E	Grounding



- 1-COMIN1
- 2-TRIG1
- 3-TRIG2
- 4-PLINK
- 5-TROFF
- 6-TEST
- 7-+24V
- 8-0V
- 9-E

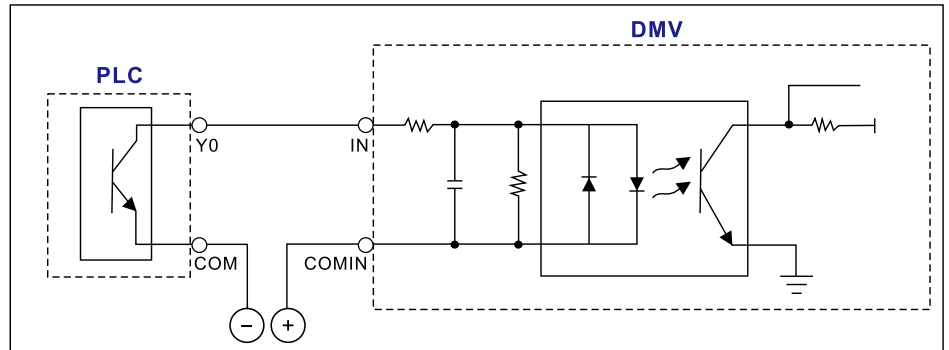
## 9-Pin Output

NO.	Name	Description
1	TOUT	Overall inspection result output
2	RUN (TOUT2)	Operation status indicator (TOUT2)
3	READY	Controller ready for image inspection result output
4	ERROR	Error(s) occur(s)
5	COMOUT1	Common 9-pin output port
6	FLASH1	Camera 1 flash output
7	FLASH2	Camera 2 flash output
8	COMFLA+	Common output port (Please connect to a positive power supply)
9	COMFLA-	Common output port (Please connect to a negative power supply)

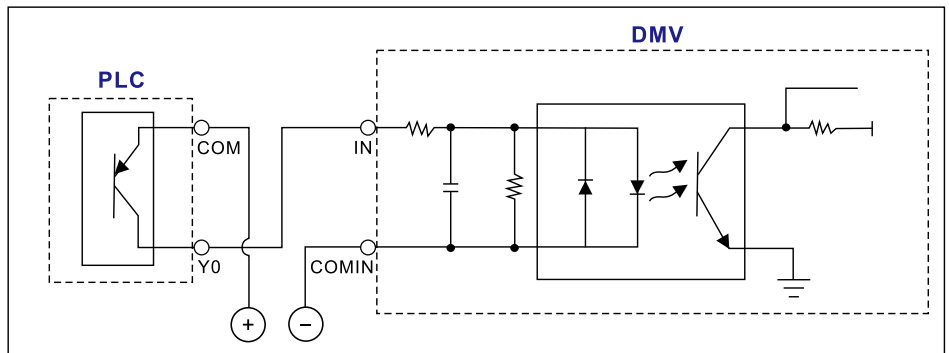


- 1-TOUT
- 2-RUN (TOUT2)
- 3-READY
- 4-ERROR
- 5-COMOUT1
- 6-FLASH1
- 7-FLASH2
- 8-COMFLA+
- 9-COMFLA-

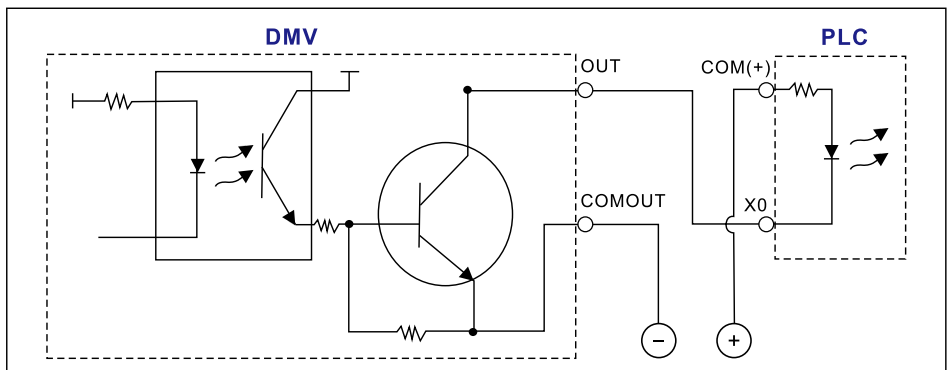
**Input Circuit  
(NPN)**



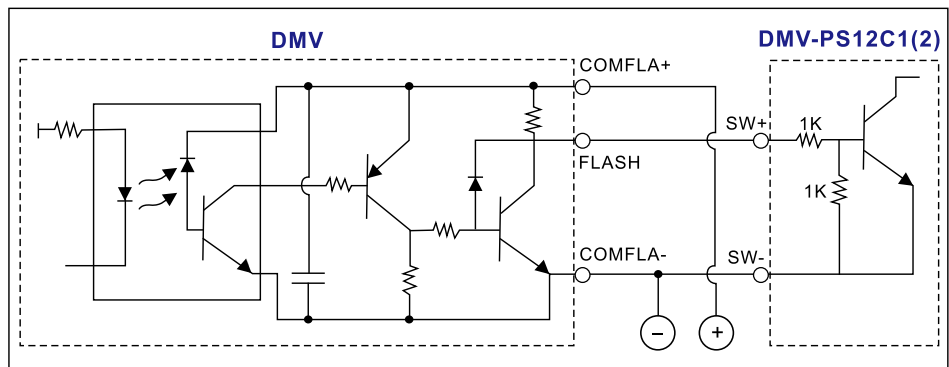
**Input Circuit  
(PNP Input)**



**Output Circuit  
(NPN Output)  
(FLASH 1 and  
FLASH 2 Excluded)**



**FLASH 1 & 2  
Output Circuit**

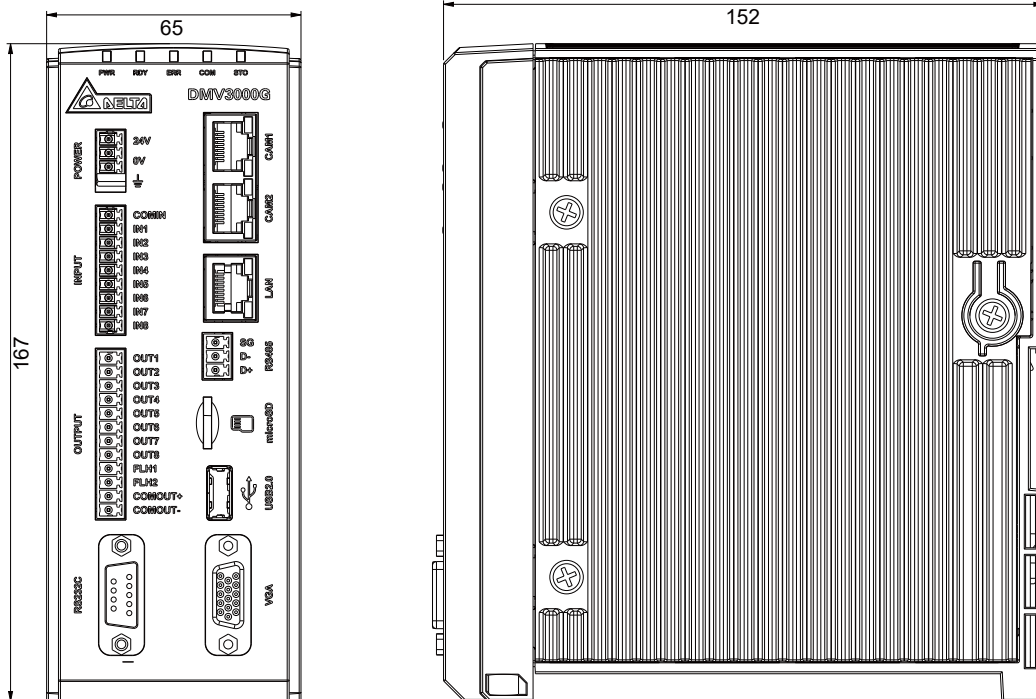




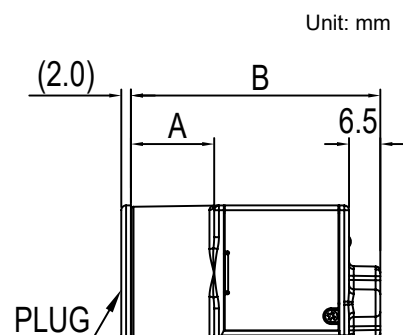
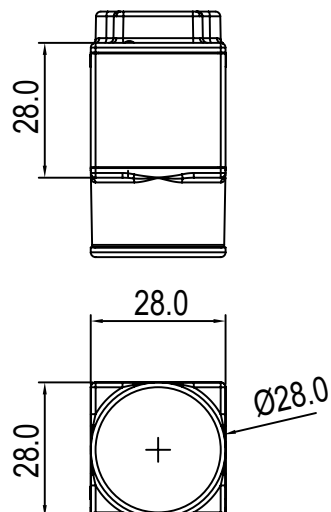
# Dimensions

## DMV3000G Controller

Unit: mm



## Camera for DMV3000G

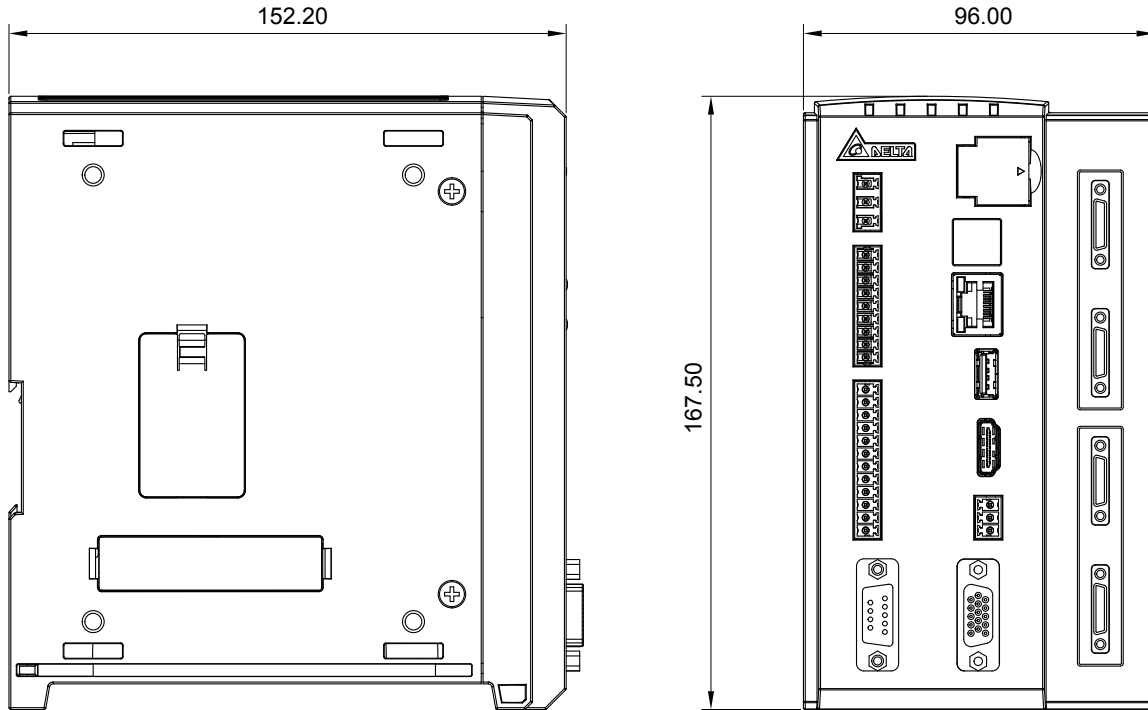


Unit: mm

Dimensions	A	B
DMV-CM2MXXX-D	17.30 mm	51.80 mm
DMV-CM30XXX-D	16.18 mm	50.68 mm

# DMV2000 Controller

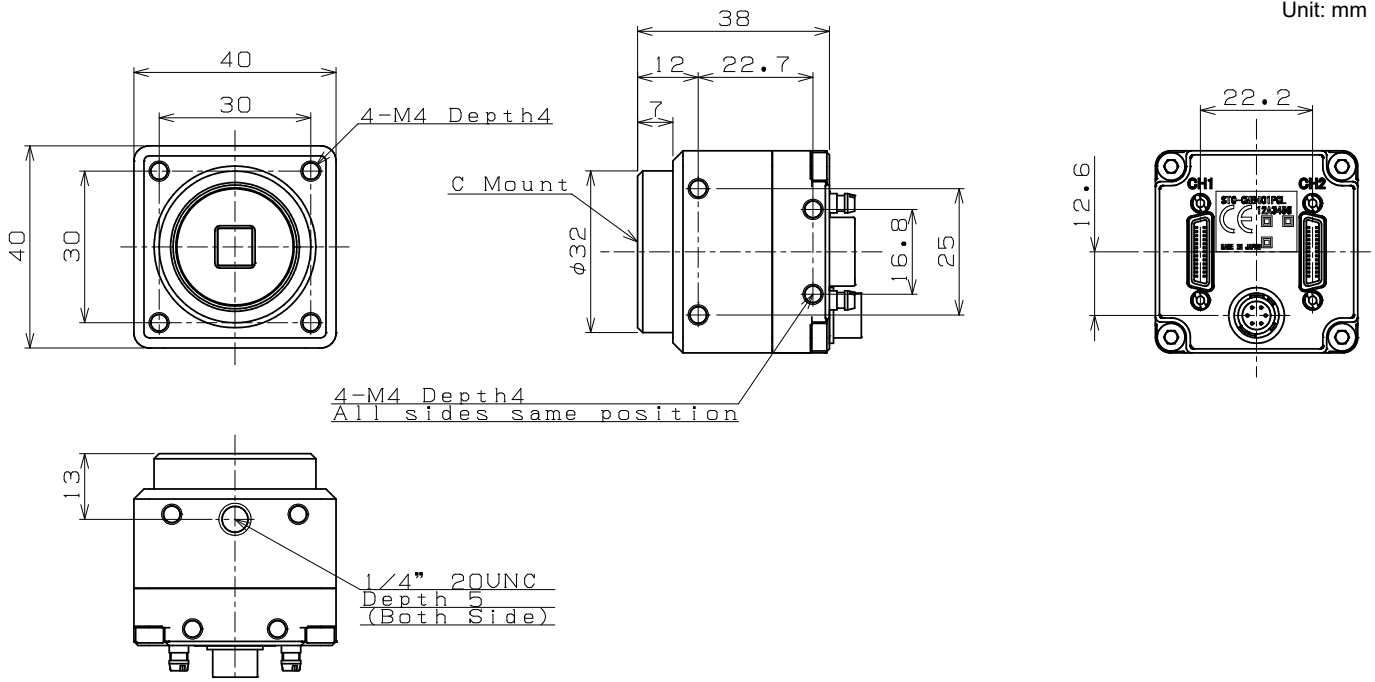
Unit: mm



# Cameras for DMV2000

CMOS 0.3M

Unit: mm

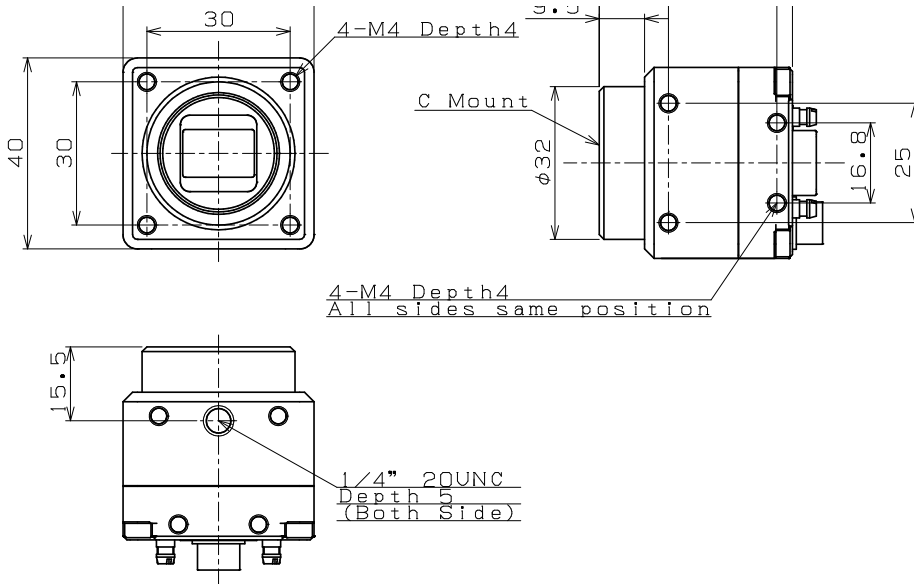


# Dimensions

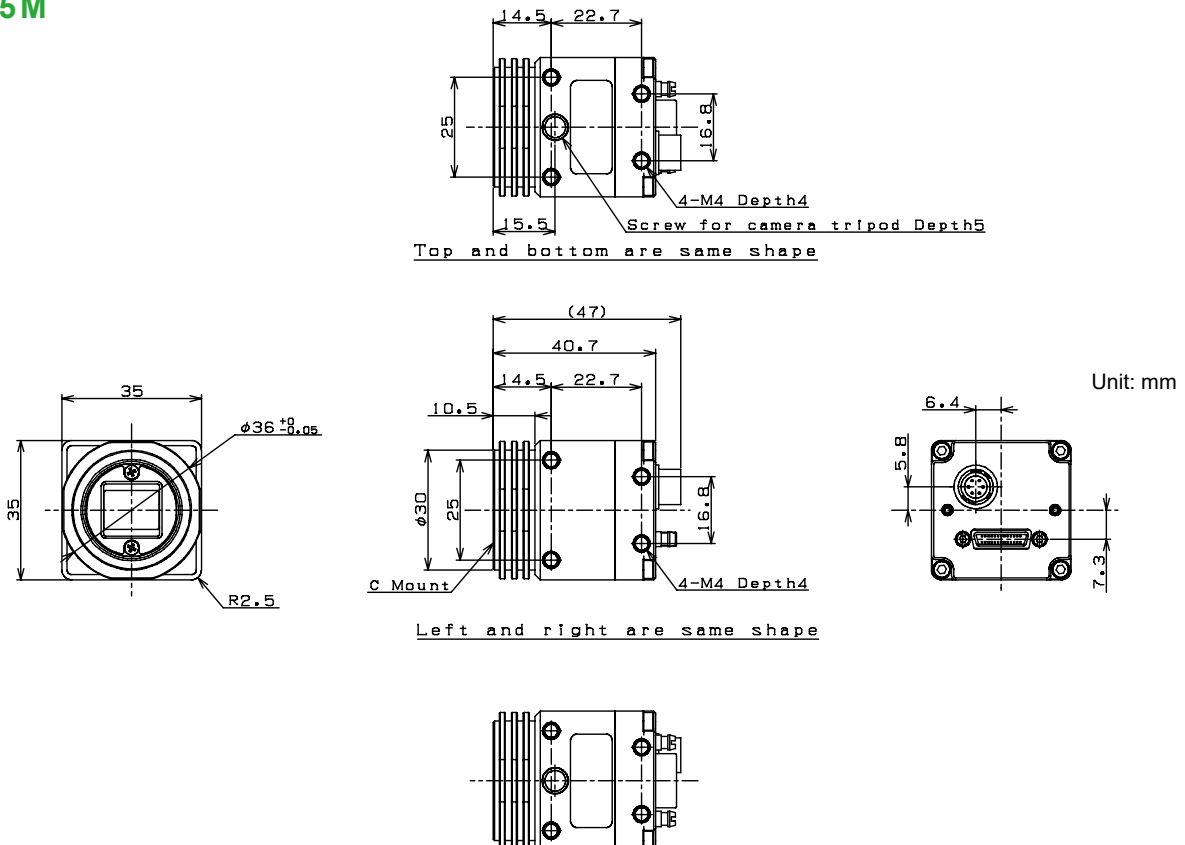
## Cameras for DMV2000

### CMOS 2M / 4M

Unit: mm



### CMOS 5M

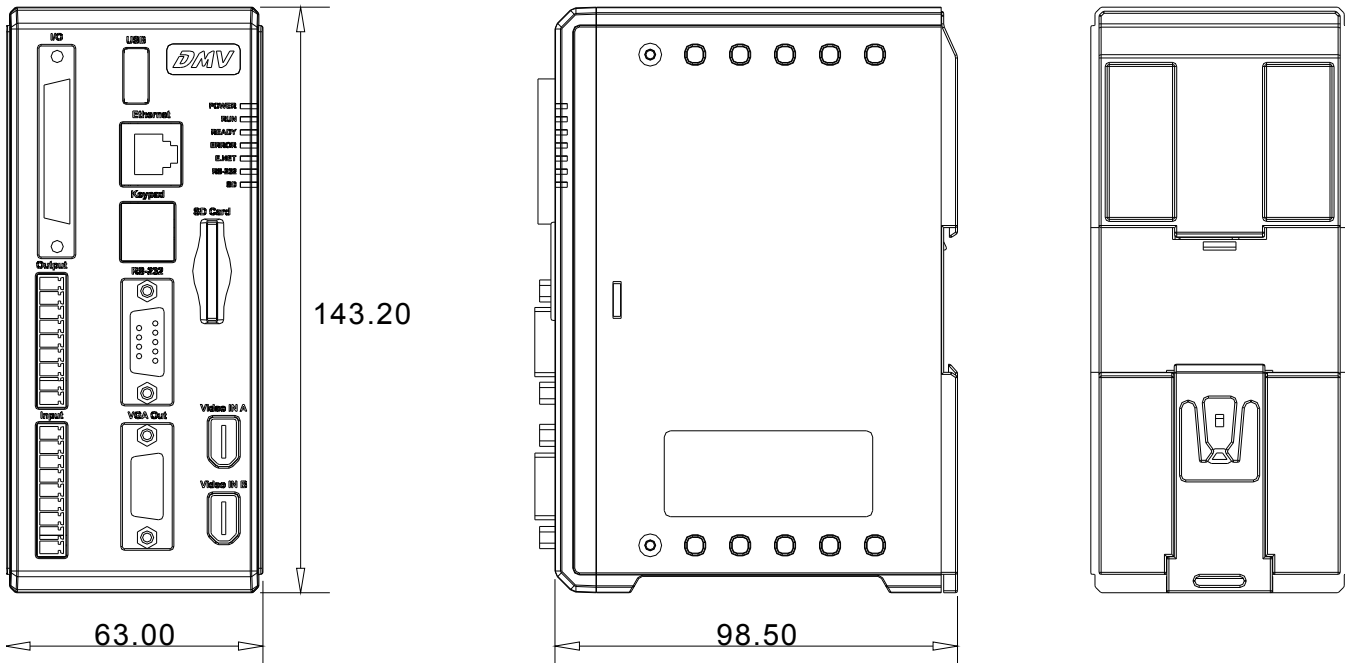




# Dimensions

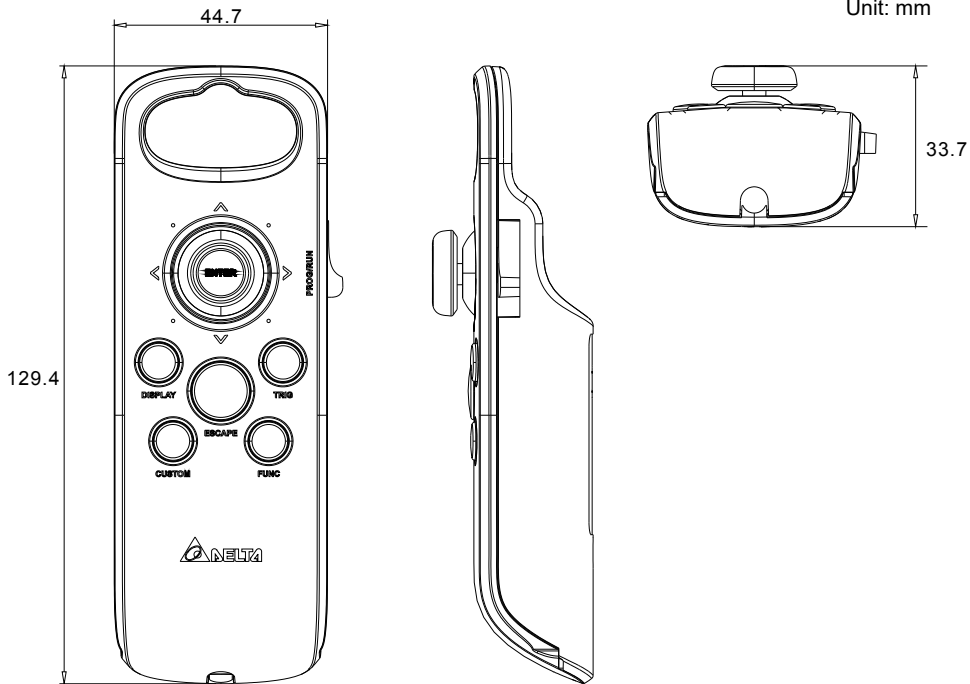
## DMV1000 Controller

Unit: mm



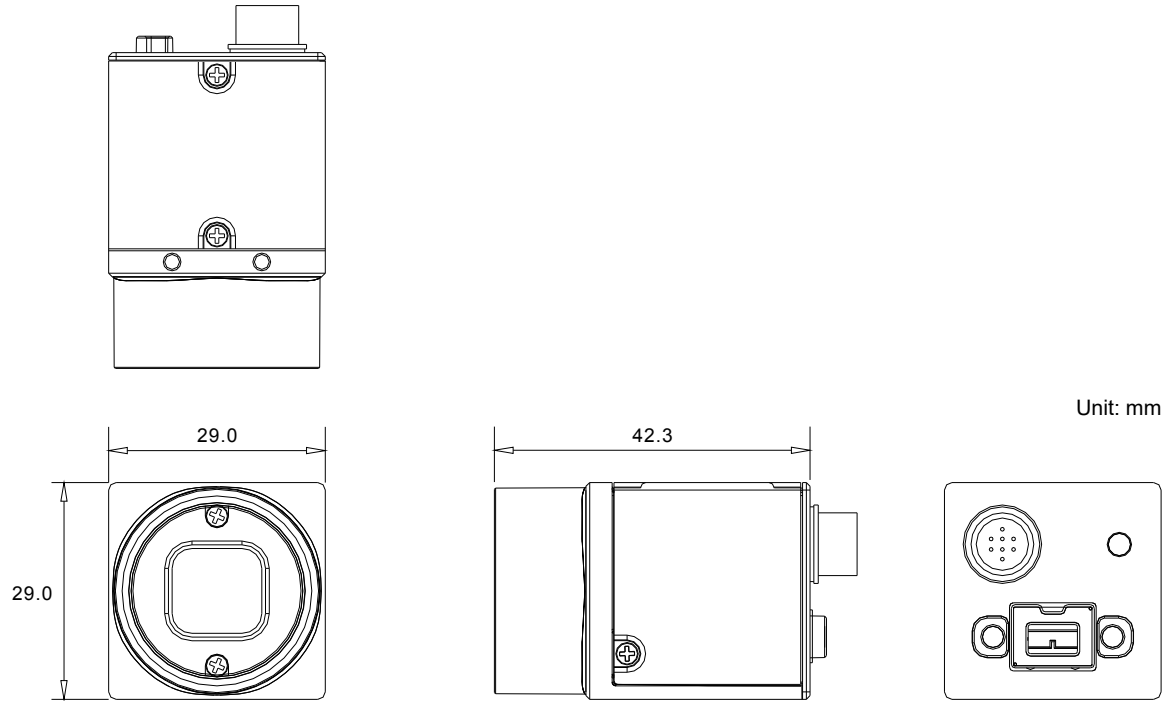
## DMV1000 Joystick

Unit: mm





## Camera for DMV1000



# Ordering Information

## ▪ Controllers

<b>DMV3000G</b>	<b>DMV3000-GE2-VL</b>	Standard model controller for max. 2 cameras connectable
<b>DMV2000</b>	<b>DMV2000-CL2-HS</b>	Standard model controller for max. 2 cameras connectable
	<b>DMV2000-CL4-HS</b>	Standard model controller for max. 4 cameras connectable
<b>DMV1000</b>	<b>DMV1000-80GXC</b>	Standard model controller for max. 2 cameras connectable

## ▪ High-speed Camera Cables

<b>DMV2000</b>	<b>DMV-CAF03CL</b>	CameraLink FLEX cable (3M, flexible)
	<b>DMV-CAF05CL</b>	CameraLink FLEX cable (5M, flexible)
<b>DMV1000</b>	<b>DMV-CA45</b>	IEEE1394 cable (4.5 M)
	<b>DMV-CA50F</b>	IEEE1394 flexible cable (5M, flexible)

## ▪ Joystick

<b>DMV1000</b>	<b>DMV1000-KEY</b>	Specifically for DMV1000
----------------	--------------------	--------------------------

## ▪ Illumination

<b>DMV3000G DMV2000 DMV1000</b>	<b>DMV-CX40W</b>	Coaxial white light
	<b>DMV-DR6736R</b>	Direct ring (red)
	<b>DMV-DR6736W</b>	Direct ring (white)
	<b>DMV-DR6736D</b>	Diffusion board
	<b>DMV-BL60R</b>	Back light (red)



▪ Cameras

<b>DMV3000G</b>	<b>DMV-CM30CGE-D</b> <b>DMV-CM30CGT-D</b>	CMOS CAMERA 0.3M COLOR CameraLink (640x480)
	<b>DMV-CM30GGE-D</b> <b>DMV-CM30GGT-D</b>	CMOS CAMERA 0.3M MONO CameraLink (640x480)
	<b>DMV-CM2MCGE-D</b> <b>DMV-CM2MCGT-D</b>	CMOS CAMERA 2.0M COLOR CameraLink (1600x1200)
	<b>DMV-CM2MGGE-D</b> <b>DMV-CM2MGGT-D</b>	CMOS CAMERA 2.0M MONO CameraLink (1600x1200)
<b>DMV2000</b>	<b>DMV-CM30CCL</b>	CMOS CAMERA 0.3M COLOR CameraLink (640x480)
	<b>DMV-CM30GCL</b>	CMOS CAMERA 0.3M MONO CameraLink (640x480)
	<b>DMV-CM2MCCL</b>	CMOS CAMERA 2.0M COLOR CameraLink (2048x1088)
	<b>DMV-CM2MGCL</b>	CMOS CAMERA 2.0M MONO CameraLink (2048x1088)
	<b>DMV-CM4MCCL</b>	CMOS CAMERA 4.0M COLOR CameraLink (2048x2048)
	<b>DMV-CM4MGCL</b>	CMOS CAMERA 4.0M MONO CameraLink (2048x2048)
	<b>DMV-CM5MCCL</b>	CMOS CAMERA 5.0M COLOR CameraLink (2448x2048)
	<b>DMV-CM5MGCL</b>	CMOS CAMERA 5.0M MONO CameraLink (2448x2048)
	<b>DMV-CM12MCCL</b>	CMOS CAMERA 12M COLOR CameraLink (4096x3072)
	<b>DMV-CM12MGCL</b>	CMOS CAMERA 12M MONO CameraLink (4096x3072)
<b>DMV1000</b>	<b>DMV-CDA30GS</b>	CMOS CAMERA 0.3M MONO CameraLink (640x480)
	<b>DMV-CDA80GS</b>	CMOS CAMERA 0.8M MONO CameraLink (1024x768)

▪ Power Supply (for LED Illumination)

<b>DMV3000G</b> <b>DMV2000</b> <b>DMV1000</b>	<b>DMV-PS12C1</b>	Single-channel output
	<b>DMV-PS12C2</b>	Dual-channel output
	<b>DMV-CA30P</b>	Extension cable for illumination

# Ordering Information

▪ Cameras

Controller		DMV3000G			
Camera		DMV-CM30GGE-D DMV-CM30CGE-D	DMV-CM2MGGE-D DMV-CM2MCGE-D	DMV-CM30GCL DMV-CM30CCL	DMV-CM2MGCL DMV-CM2MCCL
Camera	Lens				
DMV-LN06W40	0.4 M 2/3" 6 mm	●		●	
DMV-LN08W40	0.4 M 2/3" 8 mm	●		●	
DMV-LN12W40	0.4 M 2/3" 12 mm	●		●	
DMV-LN16W40	0.4 M 2/3" 16 mm	●		●	
DMV-LN25W40	0.4 M 2/3" 25 mm	●		●	
DMV-LN35W40	0.4 M 2/3" 35 mm	●		●	
DMV-LN50W40	0.4 M 2/3" 50 mm	●		●	
DMV-LN75W40	0.4 M 2/3" 75 mm	●		●	
DMV-LN100W40	0.4 M 2/3" 100 mm	●		●	
DMV-LN05M	2 M 2/3" 5 mm	○	●	○	●
DMV-LN06M	2 M 2/3" 6 mm	○	●	○	●
DMV-LN08M	2 M 2/3" 8 mm	○	●	○	●
DMV-LN12M	2 M 2/3" 12 mm	○	●	○	●
DMV-LN16M	2 M 2/3" 16 mm	○	●	○	●
DMV-LN25M	2 M 2/3" 25 mm	○	●	○	●
DMV-LN35M	2 M 2/3" 35 mm	○	●	○	●
DMV-LN50M	2 M 2/3" 50 mm	○	●	○	●
DMV-LN12M05	5 M 1" 12.5 mm	○	○	○	○
DMV-LN35M05	5 M 1" 35 mm	○	○	○	○
DMV-LN50M05	5 M 1" 50 mm	○	○	○	○
DMV-LN12M06	6 M 1" 12 mm	○	○	○	○
DMV-LN16M06	6 M 1" 16 mm	○	○	○	○
DMV-LN25M06	6 M 1" 25 mm	○	○	○	○
DMV-LN35M06	6 M 1" 35 mm	○	○	○	○
DMV-LN50M06	6 M 1" 50 mm	○	○	○	○
DMV-LN28M12	12 M F-Mount 28mm				
DMV-LN35M12	12 M F-Mount 35mm				
DMV-LN50M12	12 M F-Mount 50mm				

**Description :**

- = Standard
- = Alternative

DMV2000			DMV1000	
DMV-CM4MGCL DMV-CM4MCCL	DMV-CM5MGCL DMV-CM5MCCL	DMV-CM12MGCL DMV-CM12MCCL	DMV-CDA30GS	DMV-CDA80GS
			●	
			●	
			●	
			●	
			●	
			●	
			●	
			●	
			○	●
			○	●
			○	●
			○	●
			○	●
			○	●
			○	●
			○	●
●	●		○	○
●	●		○	○
●	●		○	○
●	●		○	○
●	●		○	○
●	●		○	○
●	●		○	○
●	●		○	○
		●		
		●		
		●		

# Globe Operations

## ASIA (Taiwan)



Taoyuan Technology Center (Green Building)



Taoyuan Plant 1



Tainan Plant (Diamond-rated Green Building)

## ASIA (China)



Wujiang Plant 3



Delta Electronics



**ASIA (Japan)**



Tokyo Office

**ASIA (India)**



Rudrapur Plant  
(Green Building)

**EUROPE**



Amsterdam, Netherlands

**AMERICA**



Research Triangle Park

▲ Factories 5 ■ Branch Offices 102 ● R&D Centers 6 ■ Distributors 824







Smarter. Greener. Together.

## Industrial Automation Headquarters

### Delta Electronics, Inc.

Taoyuan Technology Center  
No.18, Xinglong Rd., Taoyuan District,  
Taoyuan City 33068, Taiwan  
TEL: 886-3-362-6301 / FAX: 886-3-371-6301

## Asia

### Delta Electronics (Shanghai) Co., Ltd.

No.182 Minyu Rd., Pudong Shanghai, P.R.C.  
Post code : 201209  
TEL: 86-21-6872-3988 / FAX: 86-21-6872-3996  
Customer Service: 400-820-9595

### Delta Electronics (Japan), Inc.

Tokyo Office  
Industrial Automation Sales Department  
2-1-14 Shibadaimon, Minato-ku  
Tokyo, Japan 105-0012  
TEL: 81-3-5733-1155 / FAX: 81-3-5733-1255

### Delta Electronics (Korea), Inc.

Seoul Office  
1511, 219, Gasan Digital 1-Ro., Geumcheon-gu,  
Seoul, 08501 South Korea  
TEL: 82-2-515-5305 / FAX: 82-2-515-5302

### Delta Energy Systems (Singapore) Pte Ltd.

4 Kaki Bukit Avenue 1, #05-04, Singapore 417939  
TEL: 65-6747-5155 / FAX: 65-6744-9228

### Delta Electronics (India) Pvt. Ltd.

Plot No.43, Sector 35, HSIIDC Gurgaon,  
PIN 122001, Haryana, India  
TEL: 91-124-4874900 / FAX : 91-124-4874945

### Delta Electronics (Thailand) PCL.

909 Soi 9, Moo 4, Bangpoo Industrial Estate (E.P.Z),  
Pattana 1 Rd., T.Phraksa, A.Muang,  
Samutprakarn 10280, Thailand  
TEL: 66-2709-2800 / FAX : 662-709-2827

### Delta Energy Systems (Australia) Pty Ltd.

Unit 20-21/45 Normanby Rd., Notting Hill Vic 3168, Australia  
TEL: 61-3-9543-3720

## Americas

### Delta Electronics (Americas) Ltd.

Raleigh Office  
P.O. Box 12173, 5101 Davis Drive,  
Research Triangle Park, NC 27709, U.S.A.  
TEL: 1-919-767-3813 / FAX: 1-919-767-3969

### Delta Greentech (Brasil) S/A

São Paulo Office  
Rua Itapeva, 26 – 3° Andar - Bela Vista  
CEP: 01332-000 – São Paulo – SP - Brasil  
TEL: 55-11-3530-8642 / 55-11-3530-8640

### Delta Electronics International Mexico S.A. de C.V.

Mexico Office  
Vía Dr. Gustavo Baz No. 2160, Colonia La Loma,  
54060 Tlalnepantla Estado de Mexico  
TEL: 52-55-2628-3015 #3050/3052

## EMEA

### Headquarters: Delta Electronics (Netherlands) B.V.

Sales: Sales.IA.EMEA@deltaww.com  
Marketing: Marketing.IA.EMEA@deltaww.com  
Technical Support: iatechnicalsupport@deltaww.com  
Customer Support: Customer-Support@deltaww.com  
Service: Service.IA.emea@deltaww.com  
TEL: +31(0)40 800 3800

### BENELUX: Delta Electronics (Netherlands) B.V.

De Witbogt 20, 5652 AG Eindhoven, The Netherlands  
Mail: Sales.IA.Benelux@deltaww.com  
TEL: +31(0)40 800 3800

### DACH: Delta Electronics (Netherlands) B.V.

Coesterweg 45, D-59494 Soest, Germany  
Mail: Sales.IA.DACH@deltaww.com  
TEL: +49(0)2921 987 0

### France: Delta Electronics (France) S.A.

ZI du bois Challand 2, 15 rue des Pyrénées,  
Lisses, 91090 Evry Cedex, France  
Mail: Sales.IA.FR@deltaww.com  
TEL: +33(0)1 69 77 82 60

### Iberia: Delta Electronics Solutions (Spain) S.L.U

Ctra. De Villaverde a Vallecas, 265 1º Dcha Ed.  
Hormigueras – P.I. de Vallecas 28031 Madrid  
TEL: +34(0)91 223 74 20

C/Llull, 321-329 (Edifici CINC) | 22@Barcelona, 08019 Barcelona

Mail: Sales.IA.Iberia@deltaww.com  
TEL: +34 93 303 00 60

### Italy: Delta Electronics (Italy) S.r.l.

Ufficio di Milano Via Senigallia 18/2 20161 Milano (MI)  
Piazza Grazioli 18 00186 Roma Italy  
Mail: Sales.IA.Italy@deltaww.com  
TEL: +39 02 64672538

### Russia: Delta Energy System LLC

Vereyskaya Plaza II, office 112 Vereyskaya str.  
17 121357 Moscow Russia  
Mail: Sales.IA.RU@deltaww.com  
TEL: +7 495 644 3240

### Turkey: Delta Greentech Elektronik San. Ltd. Sti. (Turkey)

Şerifali Mah. Hendem Cad. Kule Sok. No:16-A  
34775 Ümraniye – İstanbul  
Mail: Sales.IA.Turkey@deltaww.com  
TEL: + 90 216 499 9910

### GCC: Delta Energy Systems AG (Dubai BR)

P.O. Box 185668, Gate 7, 3rd Floor, Hamarain Centre  
Dubai, United Arab Emirates  
Mail: Sales.IA.MEA@deltaww.com  
TEL: +971(0)4 2690148

### Egypt + North Africa: Delta Electronics

511 Cairo Business Plaza, North 90 street,  
New Cairo, Cairo, Egypt  
Mail: Sales.IA.MEA@deltaww.com

\*We reserve the right to change the information in this catalogue without prior notice.