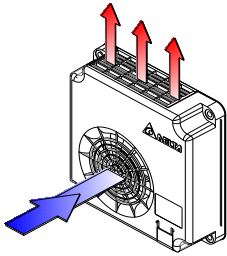
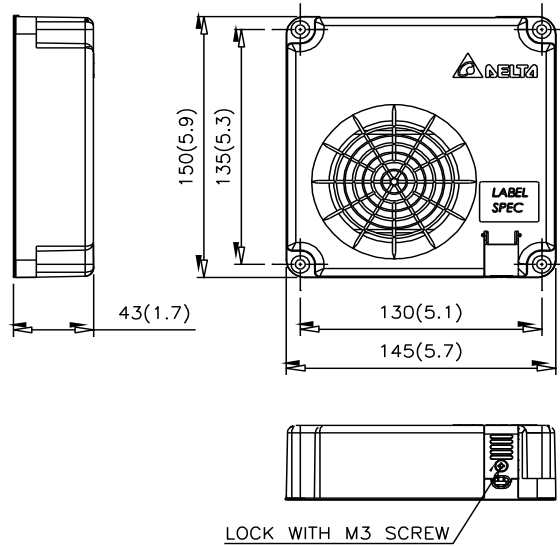


# Wall / Bottom Mount

# HEH030PA

### Dimension drawing

NOTE :  
 (1) CASE MATERIAL : PLASTIC UL94 V0  
 (2) Dimensional tolerance : ± 1.0mm



Airflow orientation

### Features

- ◆ Quick heating
- ◆ Constant Air Flow
- ◆ Compact design
- ◆ High efficiency and reliable DC fan
- ◆ Overheat & short protect function
- ◆ Easy for wall mount or bottom mount

Main feature	Unit	Specification
Outline Dimension	mm (inch)	150H x 145W x 43D (5.9 x 5.7 x 1.7)
Heating Capacity (note 1)	W	300 ± 10%
Airflow rate	CFM	22 (typ.)
Rated voltage	VDC	48 (typ.)
Operating voltage range	VDC	46 - 56
Operating temperature range	°C	-40 ~ +65
Operating current	A	7.5 (with fan)
Acoustic noise at 1M :	dB-A	65 (typ.)
Weight	Kg (lb)	0.5 (1.1)
Heating element	/	PTC
Ingress Protection rating	IP	IP20 (IEC60529)

Note 1: The heating capacity (w) is @20 °C (68°F) ambient t