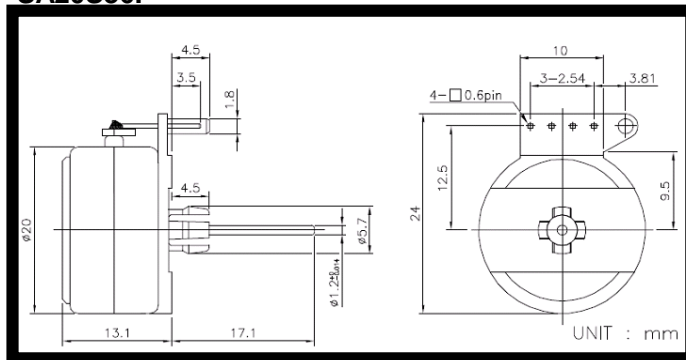


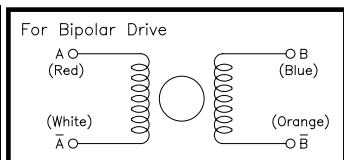


SA20S36F

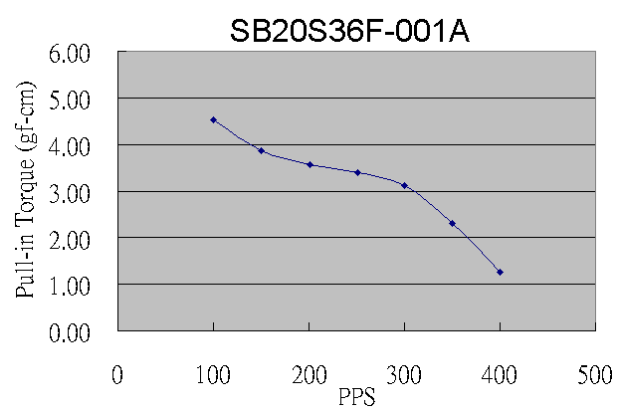
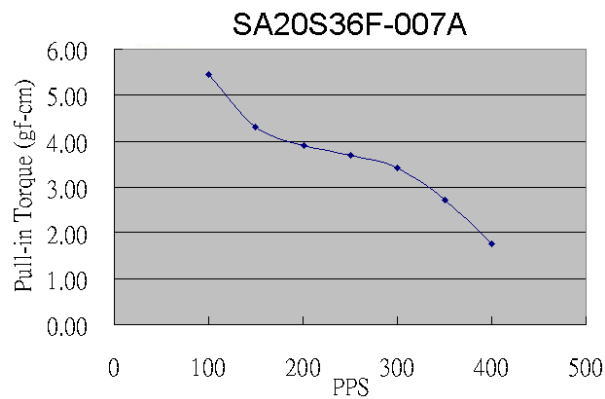


Reference Specifications

Motor Type	SA20S36F-001A	SA20S36F-002A
Step Angle	10° (36 steps/Revolution)	10° (36 steps/Revolution)
Drive System	Bipolar	Bipolar
Drive Method	Micro-stepping	Micro-stepping
Drive Voltage	5 V	5 V
Winding Resistance	180 Ω	180 Ω
Holding Torque	15 gf-cm	15 gf-cm
Detent Torque	1.2 gf-cm	1.2 gf-cm
Magnet Material	Ferrite + PPS	Ferrite + PPS
Operating Temperature	-40 °C ~ 85 °C	-40 °C ~ 85 °C
Max. SMT Temp.	260°C (20s max.)	260°C (20s max.)
Rotation Range	300°	300°
Stop Accuracy	+0.5° / -1.5°	+0.5° / -1.5°
Max. Slewing Rate	500 PPS	500 PPS



Torque Characteristics



* All readings are typical values.

* Specifications are subject to change without notice.