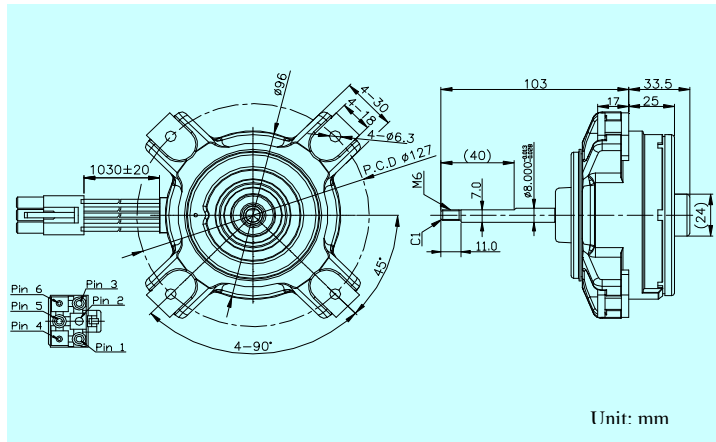




MH096D3RD



DIMENSIONS DRAWING



- * Resin Packed Type
- * Ball Bearing
- * Inner Rotor Motor
- * Magnet: Plastic Ferrite
- * Housing: JST ELP-06V
- * Cable Wire: UL1430 AWG22 x 1030L

CONNECTOR PIN ASSIGNMENT

- Pin 1: Red, Motor Drive Power, Vm (310 VDC)
- Pin 2: Empty
- Pin 3: White, Control IC Power, Vcc (15 VDC)
- Pin 4: Blue, Frequency Signal Output (12 pulses/rev.)
- Pin 5: Yellow, Speed Control Power, Vsp (0 ~ 5.7 VDC)
- Pin 6: Black, GND

SPECIFICATIONS

Model No.	Working Voltage (VDC)	Rated Voltage (VDC)	Pulse / Revolution	Rated Load Speed (R.P.M)	Rated Torque (N-cm)	Rated Current (Amp)	Rated Output Power (Watt)	No Load Noise (dB(A))
MH096D3RD	100 to 380	310	12	1000	47.8	0.23	50	<45

* Noise measuring condition: shaft horizontal / mic. 15 cm away from motor

* All readings are typical values at rated voltage.

* Specifications are subject to change without notice.

TORQUE-SPEED/CURRENT/EFFICIENCY CHARACTERISTICS

