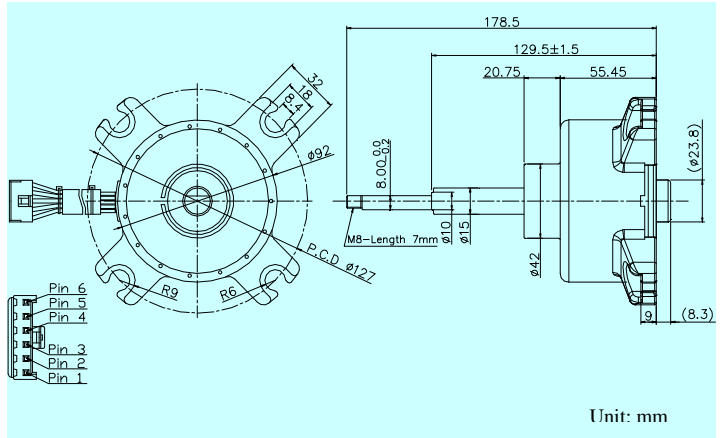




# MH092D3RG



## DIMENSIONS DRAWING



- \* Resin Packed Type
- \* Ball Bearing
- \* Inner Rotor Motor
- \* Magnet: Sintered Ferrite
- \* Housing: JST VHR-6N
- \* Cable Wire: UL1430 AWG22 x 1300L

## CONNECTOR PIN ASSIGNMENT

- Pin 1: Red, Motor Drive Power,  $V_m$  (310 VDC)
- Pin 2: Empty
- Pin 3: Black, GND
- Pin 4: White, Control IC Power,  $V_{cc}$  (15 VDC)
- Pin 5: Yellow, Speed Control Power,  $V_{sp}$  (0 ~ 5.7 VDC)
- Pin 6: Blue, Frequency Signal Output (12 pulses/rev.)

## SPECIFICATIONS

Model No.	Working Voltage (VDC)	Rated Voltage (VDC)	Pulse / Revolution	Rated Load Speed (R.P.M)	Rated Torque (N-cm)	Rated Current (Amp)	Rated Output Power (Watt)	No Load Noise (dB(A))
MH092D3RG	100 to 380	310	12	1000	66.9	0.33	70	<45

- \* Noise measuring condition: shaft horizontal / mic. 15 cm away from motor
- \* All readings are typical values at rated voltage.
- \* Specifications are subject to change without notice.

## TORQUE-SPEED/CURRENT/EFFICIENCY CHARACTERISTICS

