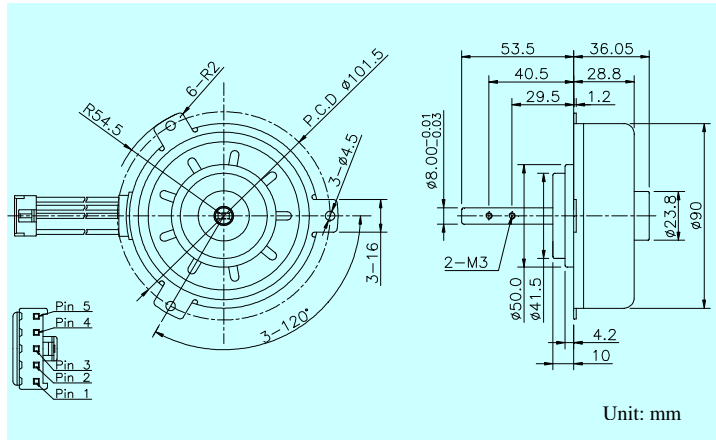




# MH09012RA



## DIMENSIONS DRAWING



- \* Resin Packed Type
- \* Ball Bearing
- \* Inner Rotor Motor
- \* Magnet: Plastic Ferrite
- \* Housing: VHR-5N
- \* Cable Wire: UL1007 AWG22 x 300L

## CONNECTOR PIN ASSIGNMENT

- Pin 1: Red, Motor Drive Power,  $V_m$  (12 VDC)
- Pin 2: Empty
- Pin 3: Yellow, Speed Control Power,  $V_{sp}$  (0 ~ 5 VDC)
- Pin 4: Blue, Frequency Signal Output (12 pulses/rev.)
- Pin 5: Black, GND

## SPECIFICATIONS

Model No.	Working Voltage (VDC)	Rated Voltage (VDC)	Pulse / Revolution	Rated Load Speed (R.P.M)	Rated Torque (N-cm)	Rated Current (Amp)	Rated Output Power (Watt)	No Load Noise (dB(A))
MH09012RA	10.8 to 13.2	12	12	1500	9.55	1.8	15	<40

\* Noise measuring condition: shaft horizontal / mic. 15 cm away from motor

\* All readings are typical values at rated voltage.

\* Specifications are subject to change without notice.

## TORQUE-SPEED/CURRENT/EFFICIENCY CHARACTERISTICS

