

Digitized Automation for a Changing World

# Delta Motion Control Solution AX Series



[www.deltaww.com](http://www.deltaww.com)



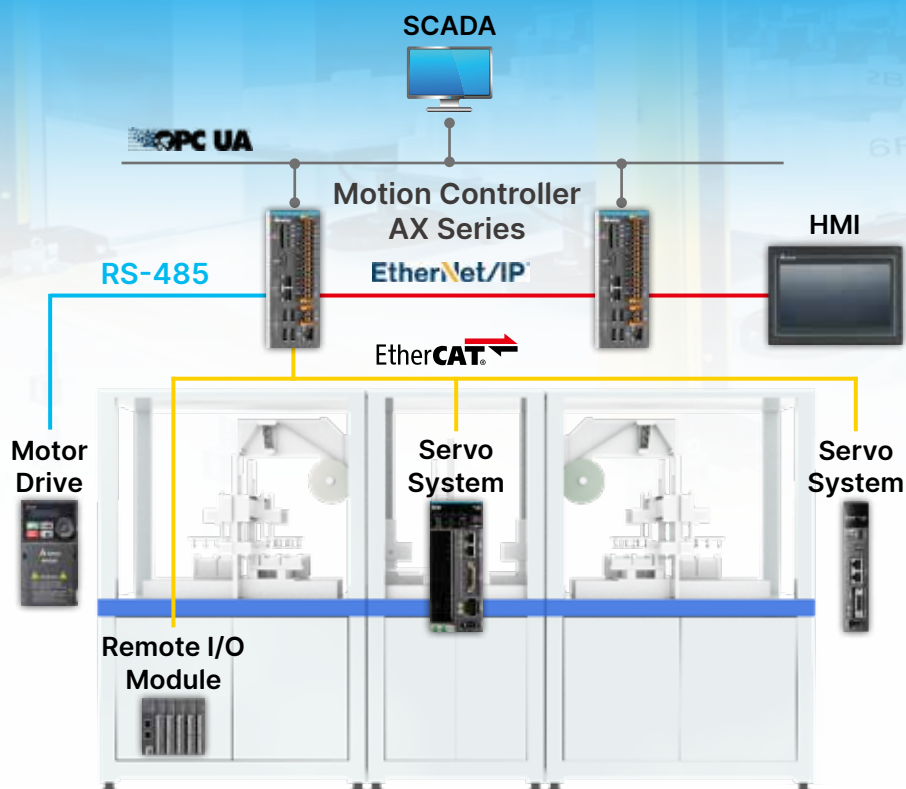
# Delta Motion Control Solution AX Series

Automation and digitalization play important roles in smart manufacturing. To enhance competitiveness, machine makers around the world are seeking solutions to facilitate quick expansion and save development time and labor.

Compliant with the IEC 61131-3 standard, the Delta Motion Control Solution AX Series offers a comprehensive development software platform to integrate PLCs, HMIs, servo drives, motor drives, and remote I/O modules for customized development, operation, and maintenance.

The AX Series supports EtherCAT communication for simultaneous control of various field devices, including Delta's AC Servo Drive ASDA-A3-E, ASDA-B3-E, ASDA-A2-E Series, High Performance Compact Drive MH300 Series, Compact Drive MS300 Series, and the General Vector Control Drive C2000 Plus Series. The solution also provides excellent remote I/O scalability with the Remote Module R1-EC and R2-EC Series, and DVP EtherCAT Remote I/O.

With its highly integrated offerings, Delta's versatile AX series can fulfill various application demands.





**Standalone  
Motion Controller**

**PLC-Based  
Motion Controller**

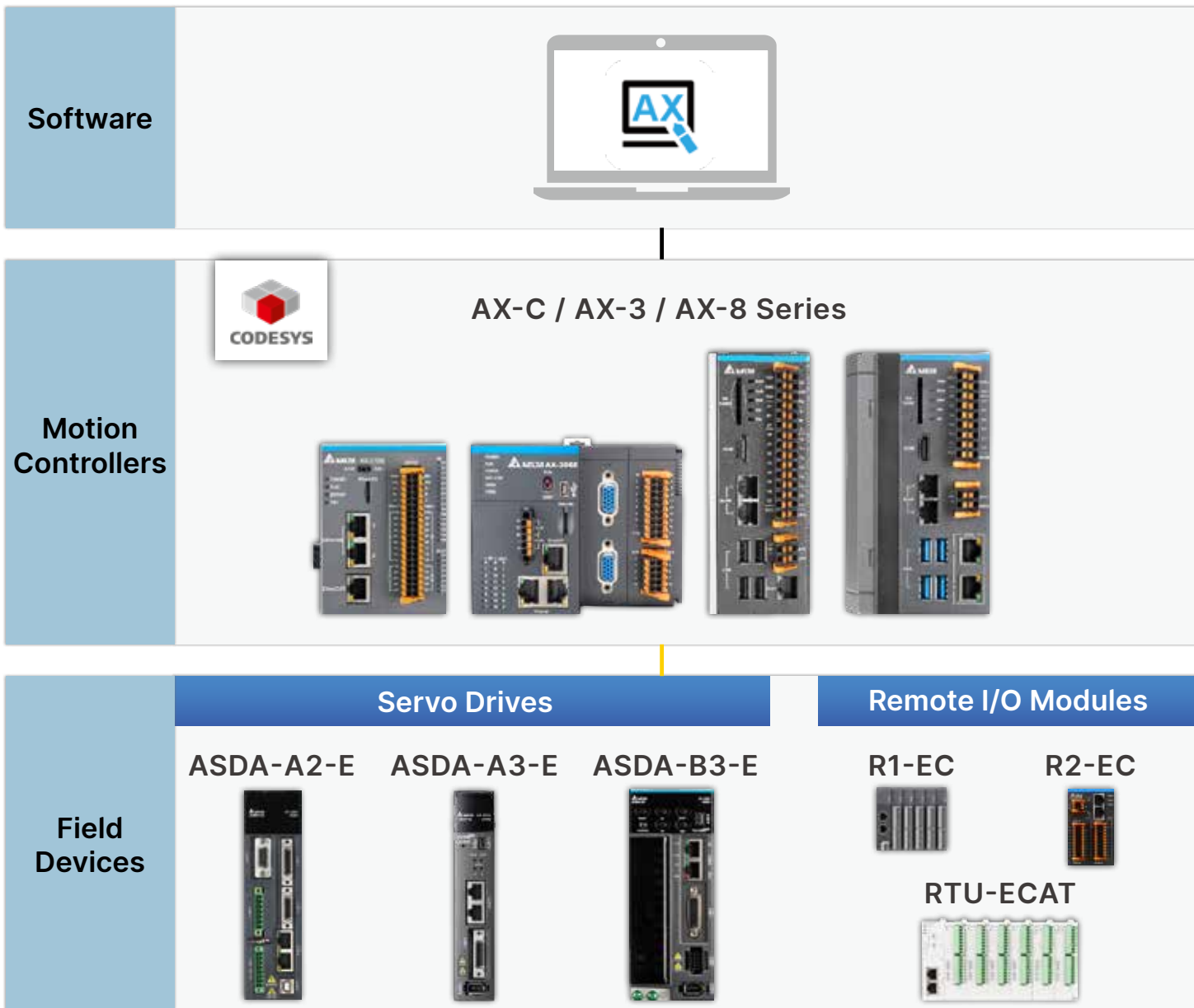
# Table of Contents

	Page
<b>Delta Motion Control Solution AX Series</b>	<b>4</b>
<b>Solution Introduction</b>	<b>6</b>
Software	6
Solution Architecture	10
<b>Hardware Specifications</b>	<b>12</b>
<b>Model Explanation</b>	<b>14</b>
<b>Ordering Information</b>	<b>15</b>





## Delta Motion Control Solution AX Series





## Solution Features

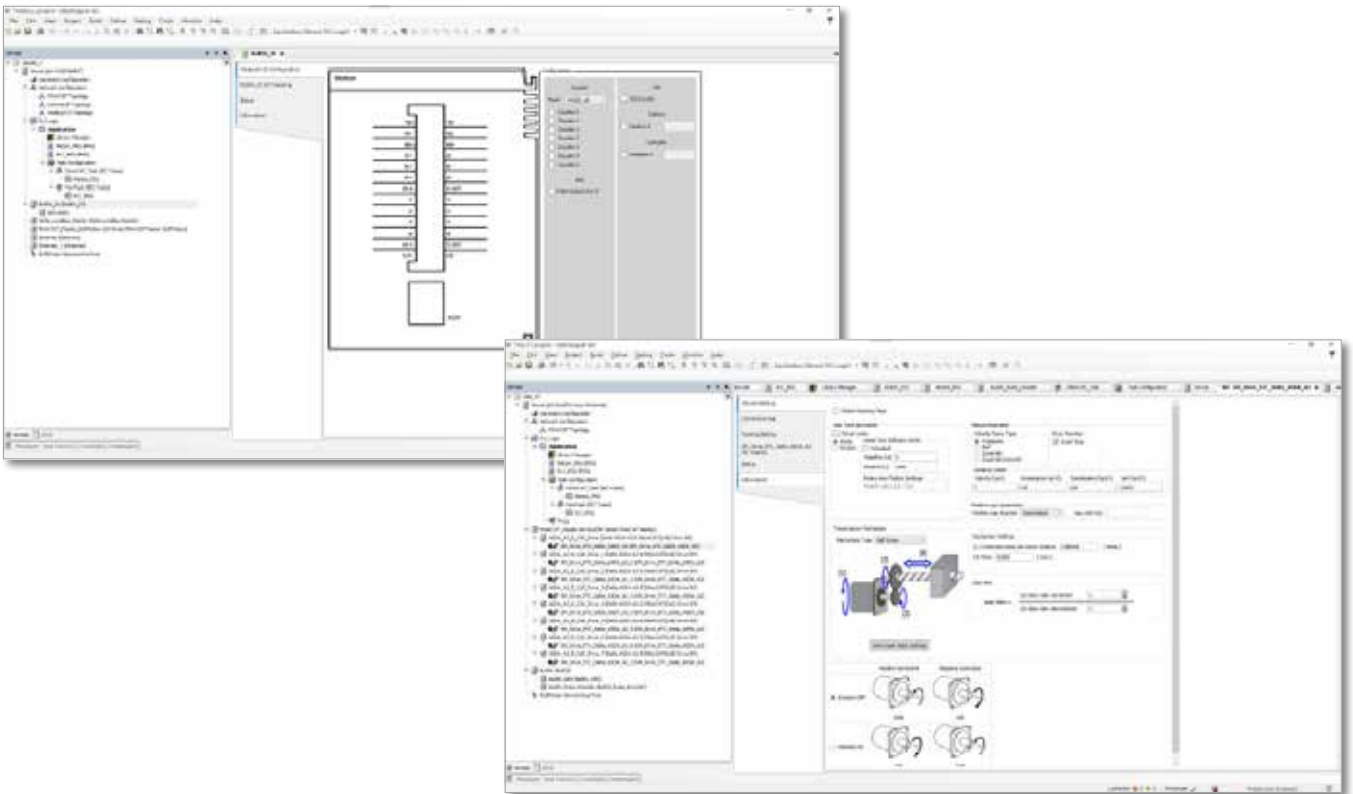
- ▶ **Various programming languages:**  
Provides various programming languages that can be used simultaneously on projects, including
  - Structured Language (ST)
  - Ladder Diagram (LD)
  - Sequential Function Chart (SFC)
  - Function Block Diagram (FBD)
  - Continuous Function Chart (CFC)
- ▶ **Highly integrated software platform:**  
The integrated development platform optimizes project development efficiency and supports parameter reading, configuration, and PLCopen standard motion control language. Users can configure multiple projects and settings on the same platform and can quickly share tags with HMIs
- ▶ **Comprehensive system solution:**  
Supports a variety of communication protocols and connects easily with servo drives, motor drives, remote modules and robotic arms as well as MES, SCADA, HMIs, and cloud services to build comprehensive systems



# New Software Design Brings a More User-Friendly Interface

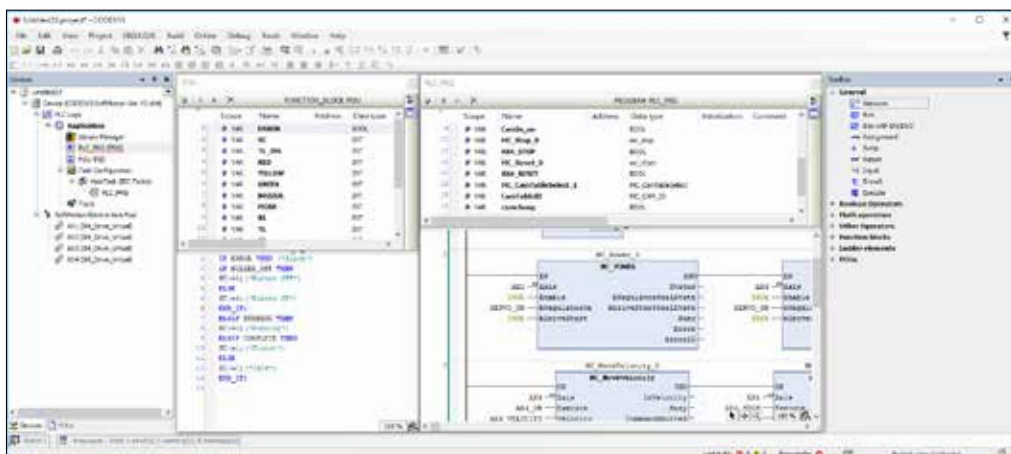
The new programming software DIADesigner-AX provides a friendly and versatile programming environment to reduce development time and costs

## Software Interface of I/O Configuration & Axis Parameter Setting



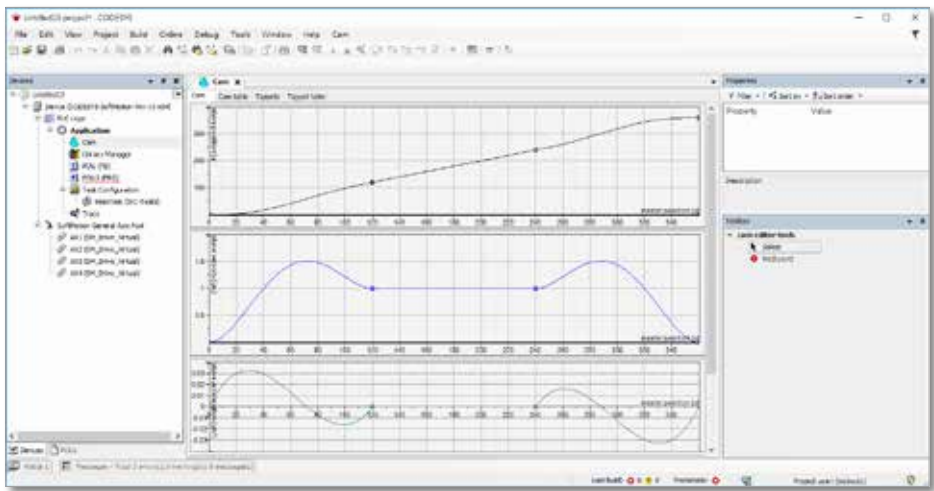
## Standard IEC 61131-3 Programming

- Structured Text (ST)
- Ladder Programming (LD)
- Function Block Diagram (FBD)
- Sequential Function Chart (SFC)



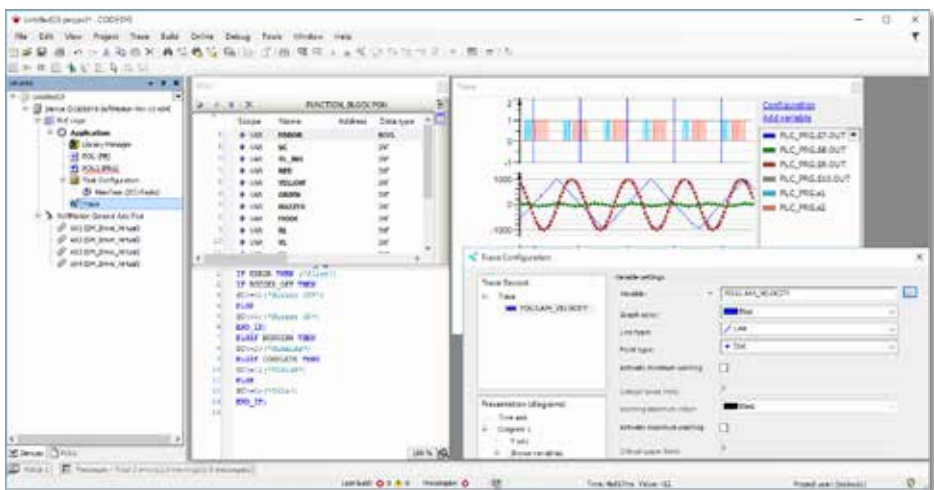
# Motion Control Programming Software

- Supports single-axis and multi-axis motion (master/slave axis motion and CAM control)
- Adopts PLCopen certified POU libraries for programming
- Provides a graphical CAM programming interface



# Tasks and Debugger

- Displays application data in SoftPLC and controller runtime simulation mode
- Enables users to monitor specific values in a watch list
- Supports reading, writing, and forced setting of variables in the editor
- Code can be executed in a single step or cycle





## New Software Design Brings a More User-Friendly Interface

### Features

- One single platform to create project programs from configuration to commissioning
- Supports IEC 61131-3 standard object-oriented programming and can integrate project functional programs
- Files can be directly integrated into the test library for easy development

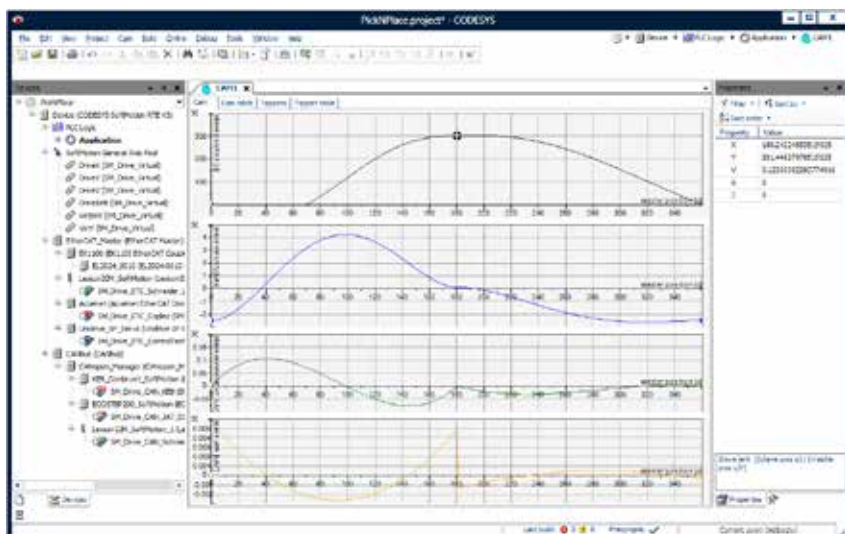
### Benefits

#### Standard PLCopen Language

- Supports PLCopen motion control POU for single-axis or multi-axis control

#### Electronic CAM

- Supports electronic CAM synchronous motion control
- Provides a graphical electronic CAM programming interface







## Features

- Highly compatible, can be deployed on multiple platforms and in various applications
- Modular design for multi-function expansion
- A simple user interface and customizable windows

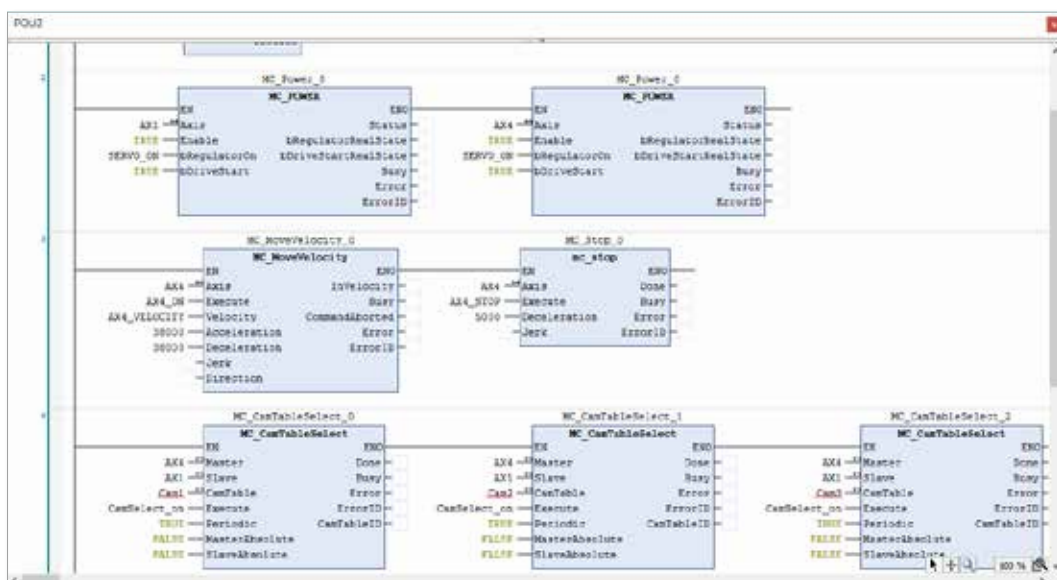
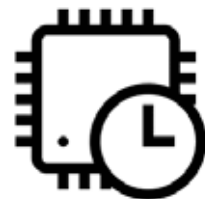
## Benefits

### Real-Time System

- Synchronizes 64 axes in 1 ms (real and virtual axes)

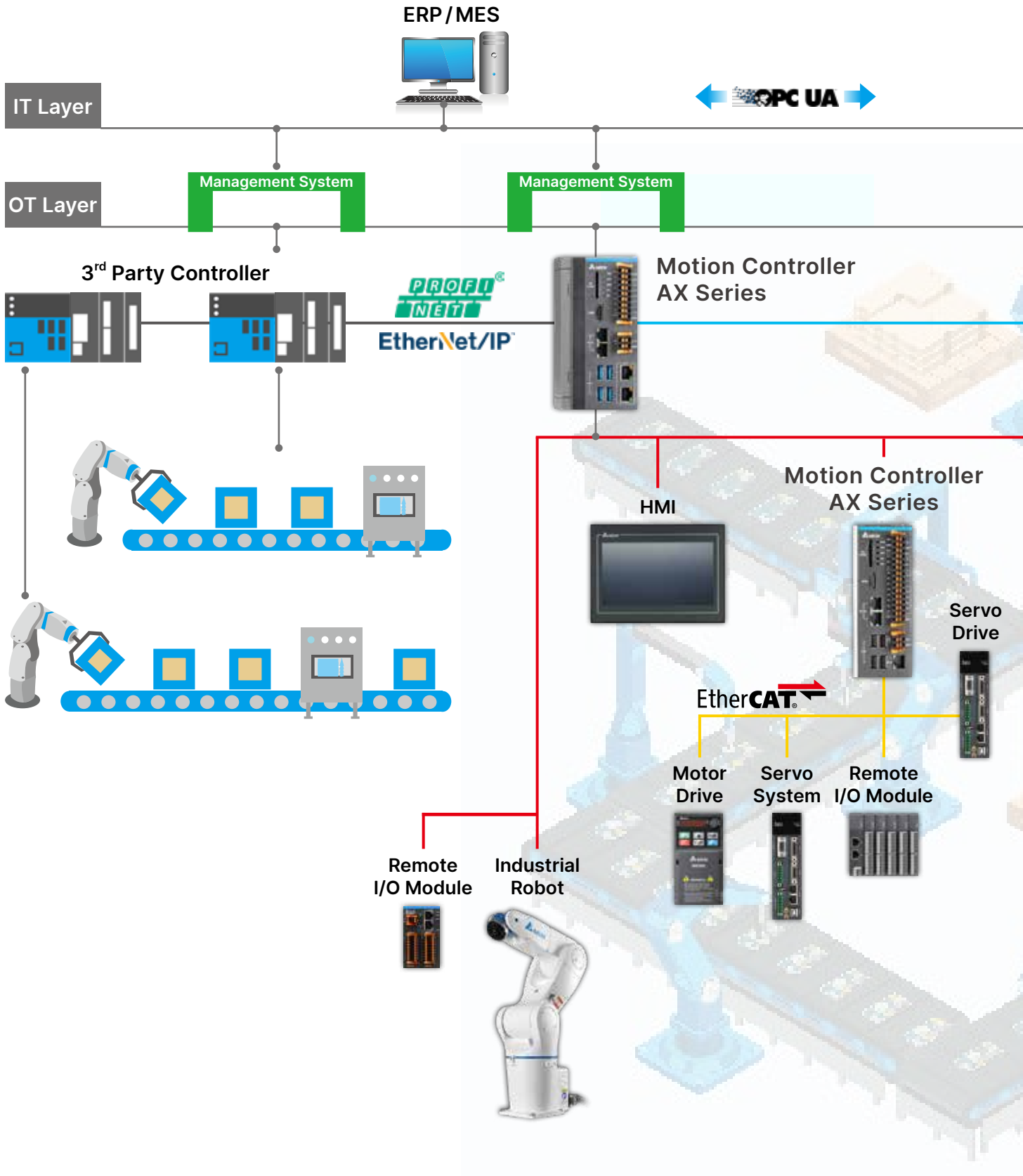
### Multi-Axis Function Block

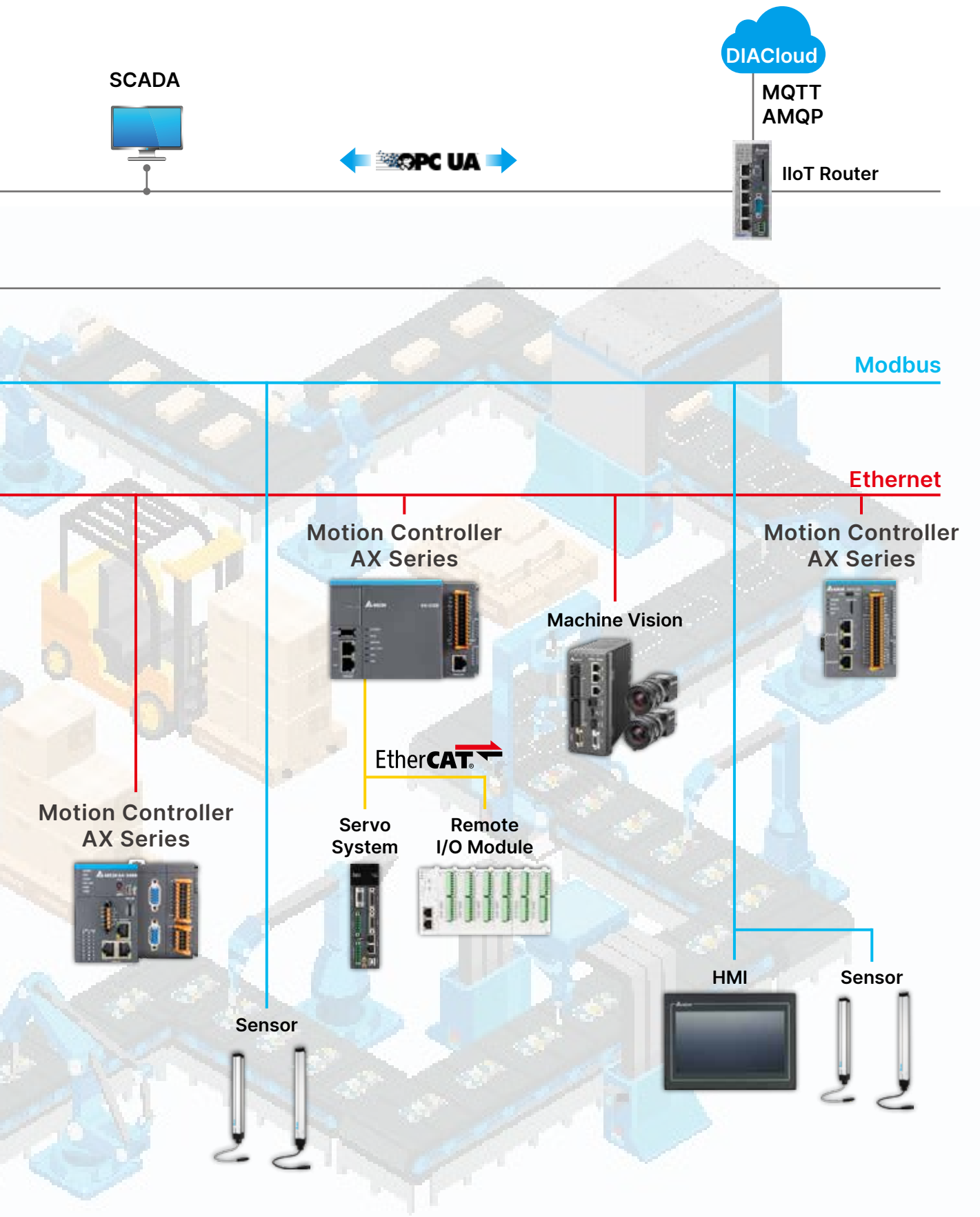
- Supports motion control function blocks compliant with the IEC 61131-3 standard





# Solution Architecture

Creates Comprehensive Systems with Exceptional Interoperability








# Hardware Specifications

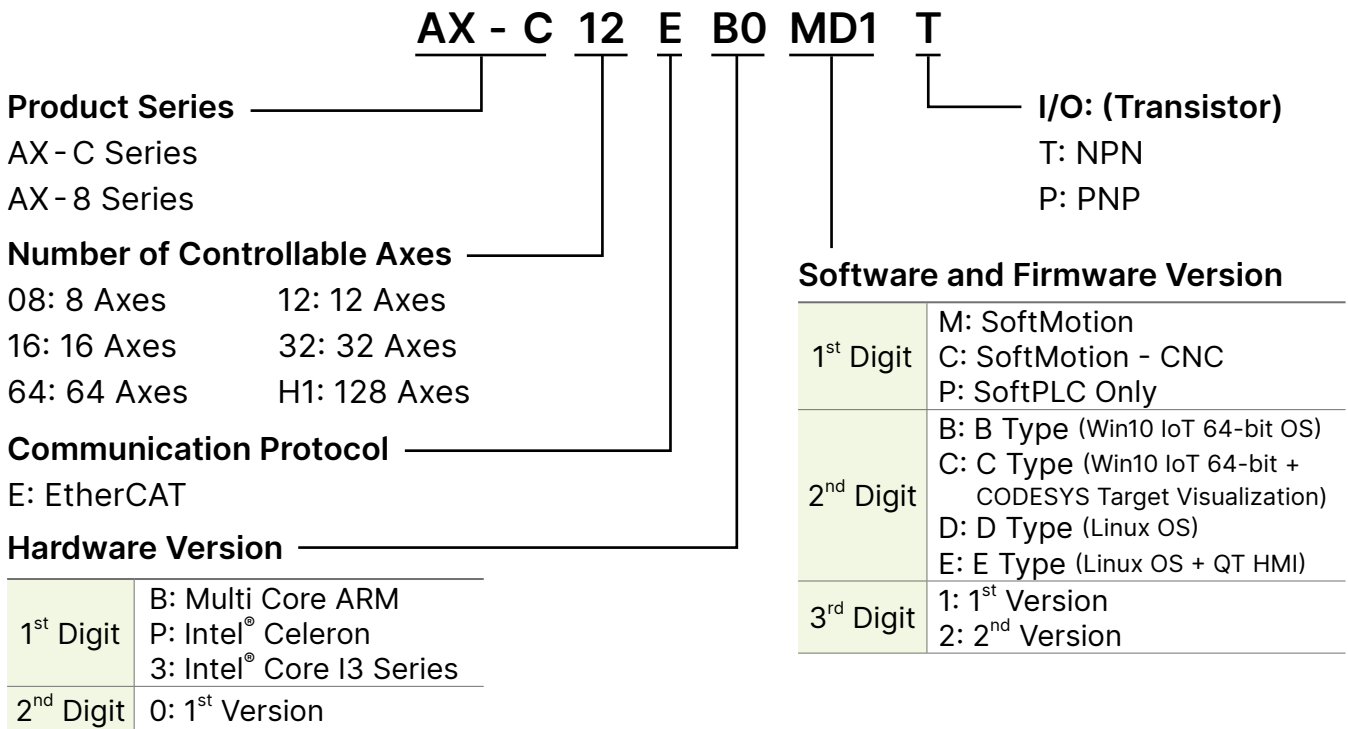
Product Model		Standalone Motion Controller		
		AX-C12EB0MD1T	AX-8__EP0_B1_	AX-8__EP0_E1_
				
Processor	CPU	Cortex-A7, 1.0GHz		Intel® Celeron J1900 2.0GHz Quad. Core
	Memory	DDR4-SDRAM 1GB	DDR3L-1333 4GB	DDR3L-1333 2GB
	Retain Memory	896KB	96KB	
Monitor	Display Type	N/A	HDMI 1.4a ×1	
Number of Controllable Axes		12: 12 Axes	16: 16 Axes, 32: 32 Axes, 64: 64 Axes	
DO Output Type		T: NPN	T: NPN, P: PNP	
Software and Firmware Version	Motion Function	PLCopen Part1, Part2 Multi-axis Interpolation	PLCopen Part1, Part2 Multi-axis Interpolation CNC & Robotic (Advanced Type)	
	Operating System	N/A	Win10 IoT 64-bit, Linux	
	Visualization	N/A	Delta HMI CODESYS Target Visualization	
Communication Interface	Ethernet I/F	IEEE 802.3 / 802.3u / 802.3ab 1Gbps ×2		
	FieldBus I/F	EtherCAT ×1		
	USB	N/A	USB 2.0 ×4	
	Serial Port	Isolated RS-485 ×1	Isolated RS-485 / 422 ×1	
Expansion Interface	Specifications	SD Card Slot ×1		
Storage Device	HDD	N/A	M.2 Module ×1 (Built-in SSD 32G)	EMMC 8GB
	Program Capacity	128MB	1G	
Power Supply	Input Voltage	24 V <sub>DC</sub> (-15% ~ +20%)		
	Rated Power	10W (24V/0.41A)	28.8W (24V/1.2A)	
	RTC Backup Battery	N/A	3V CR2032 Lithium × 1 for BIOS use	
Dimensions	Size (W×H×D)	100 × 73 × 100 mm	54.2 × 141 × 137.5 mm	
	Weight	360g	750g	
I/O Device	In/Out	131,072 bytes/131,072 bytes		
Instruction Processing Speed	LD Instruction	5.629 ns	1.573 ns	
	Math Instruction	66.81 ns	1.660 ns	
Environment	Operating Temp.	-20 ~ 55°C	0 ~ 50°C	
	Storage Temp.	-40 ~ 80°C	-20 ~ 70°C	
	Humidity	5 ~ 95% RH (Non-Condensing)		
	Vibration Test	Sine Wave 5 Hz ≤ f ≤ 8.4 Hz; Displacement 3.5 mm ; 8.4 Hz ≤ f ≤ 150 Hz, 1G Acceleration		
	Shock Test	Half Sine Wave Peak 15g, 11ms Duration		
	Protection Level	IP20		
Certification	CE, UL			



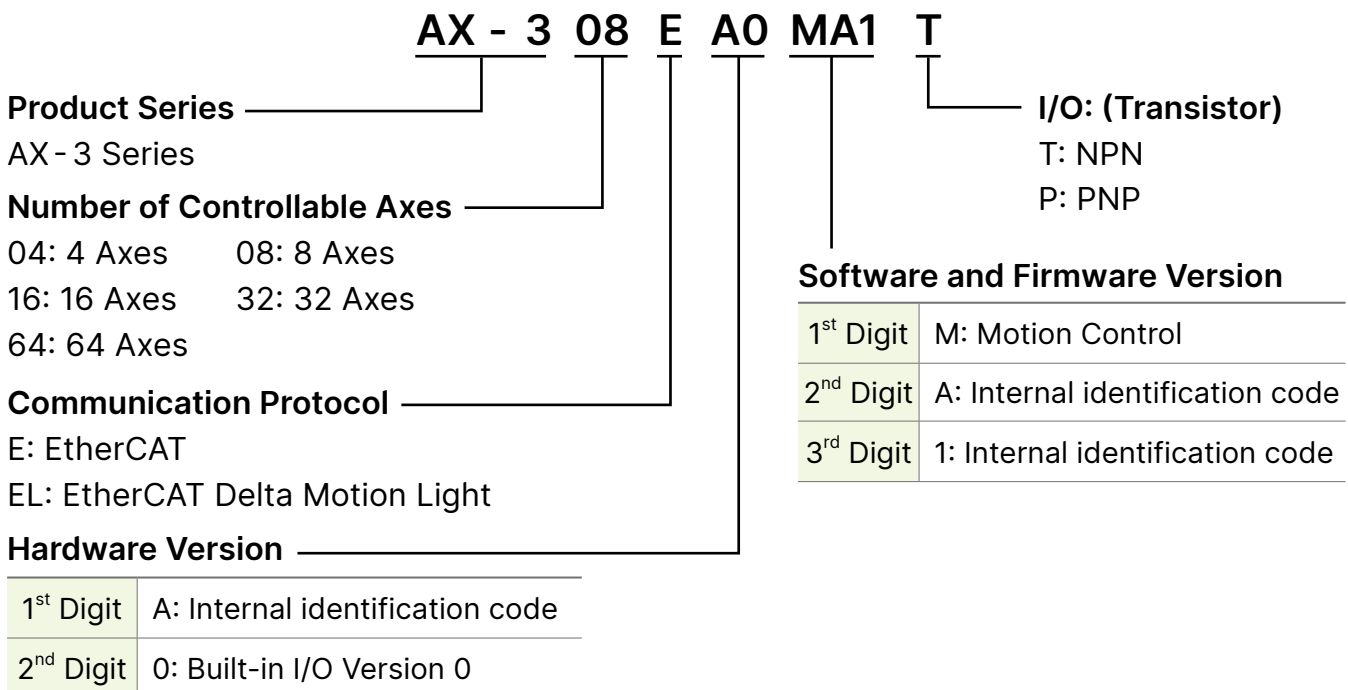
Product Model		Standalone Motion Controller	PLC-Based Motion Controller	
		AX-8_E30_E2T / AX-8_E30_E2P	AX-304EL / AX-308EA / AX-316EA / AX-364EL	AX-332E
				
Processor	CPU	Intel® I3 Tiger Lake UP3 Dual Core 3.00GHz	N/A	Intel® Celeron J1900 2.0GHz Quad. Core
	Memory	LPDDR4X 4 GB	N/A	DDR3L-1333 2 GB
	Retain Memory	4 MB	N/A	4 MB
Monitor	Display Type	HDMI 2.0 × 1	N/A	
Number of Controllable Axes		64: 64 Axes, H1: 128 Axes	04: 4 Axes, 08: 8 Axes 16: 16 Axes, 64: 64 Axes	32: 32 Axes
DO Output Type		T: NPN	T: NPN, P: PNP	T: NPN
Software and Firmware Version	Motion Function	PLCopen Part1, Part2 Multi-axis Interpolation CNC & Robotic (Advanced Type)	PLCopen Part1, Part2 Multi-axis Interpolation	
	Operating System	Win10 IoT 64-bit \ Linux	N/A	
	Visualization	N/A		
Communication Interface	Ethernet I/F	IEEE 802.3/802.3u/802.3ab 2.5Gbps × 2	10BASE-T/100BASE-TX/1000BASE-T Switch × 2	IEEE 802.3/802.3u/802.3ab 1G bps (Intel I210IT) × 2
	FieldBus I/F	EtherCAT × 2	EtherCAT × 1	
	USB	USB 3.0 × 4	USB 2.0 × 1	
	Serial Port	Isolated RS-485 × 1	RS-232 × 1, RS-485 × 1	RS-485/422 × 1
Expansion Interface	Specifications	SD Card Slot × 1		
Storage Device	HDD	M.2 SATA 32GB × 1	N/A	N/A
	Program Capacity	512 MB	8 MB	128 MB
Power Supply	Input Voltage	24 V <sub>DC</sub> (-15% ~ +20%)		
	Rated Power	72 W (24 V/3 A)	11 W	24 W
	RTC Backup Battery	N/A	CR1620 Lithium × 1	Please contact local distributors
Dimensions	Size (W×H×D)	140.5 × 77.7 × 141 mm	110 × 88 × 100 mm	135 × 88 × 100 mm
	Weight	1,000 g	380 g	390 g
I/O Device	In/Out	131,072 bytes/131,072 bytes	8,192 bytes/8,192 bytes	
Instruction Processing Speed	LD Instruction	0.4 ns	5 ns	1.6 ns
	Math Instruction	0.4 ns	36 ns	1.6 ns
Environment	Operating Temp.	0 ~ 50 °C	-20 ~ 55 °C	-20 ~ 50 °C
	Storage Temp.	-20 ~ 70 °C	-40 ~ 80 °C	
	Humidity	5 ~ 95 % RH (Non-Condensing)		
	Vibration Test	Sine Wave 5 Hz ≤ f ≤ 8.4 Hz; Displacement 3.5 mm ; 8.4 Hz ≤ f ≤ 150 Hz, 1G Acceleration		
	Shock Test	Half Sine Wave Peak 15 g, 11 ms Duration		
	Protection Level	IP20		
	Certification	CE, UL		

# Model Explanation

## Standalone Motion Controller



## PLC-Based Motion Controller



## Ordering Information

Standalone Motion Controller AX-C Series			
Model	Description	Model	Description
AX-C12EB0MD1T	Entry-Level Motion Controller (12 Axes / NPN)		
Standalone Motion Controller AX-8 Series			
AX-816EP0MB1T	Basic Type Motion Controller (16 Axes / NPN)	AX-816EP0MB1P	Basic Type Motion Controller (16 Axes / PNP)
AX-816EP0ME1T	Basic Type Motion Controller (16 Axes / NPN)	AX-816EP0ME1P	Basic Type Motion Controller (16 Axes / PNP)
AX-816EP0CB1P	Advanced Type Motion Controller (16 Axes / PNP)	AX-816EP0CE1T	Advanced Type Motion Controller (16 Axes / NPN)
AX-816EP0CE1P	Advanced Type Motion Controller (16 Axes / PNP)	AX-832EP0MB1T	Basic Type Motion Controller (32 Axes / NPN)
AX-832EP0MB1P	Basic Type Motion Controller (32 Axes / PNP)	AX-832EP0ME1T	Basic Type Motion Controller (32 Axes / NPN)
AX-832EP0ME1P	Basic Type Motion Controller (32 Axes / PNP)	AX-832EP0CE1T	Advanced Type Motion Controller (32 Axes / NPN)
AX-832EP0CE1P	Advanced Type Motion Controller (32 Axes / PNP)	AX-864EP0MB1T	Basic Type Motion Controller (64 Axes / NPN)
AX-864EP0MB1P	Basic Type Motion Controller (64 Axes / PNP)	AX-864EP0ME1T	Basic Type Motion Controller (64 Axes / NPN)
AX-864EP0ME1P	Basic Type Motion Controller (64 Axes / PNP)	AX-864EP0CB1T	Advanced Type Motion Controller (64 Axes / NPN)
AX-864EP0CB1P	Advanced Type Motion Controller (64 Axes / PNP)	AX-864EP0CE1T	Advanced Type Motion Controller (64 Axes / NPN)
AX-864EP0CE1P	Advanced Type Motion Controller (64 Axes / PNP)	AX-864EP0MC1T	Basic Type Motion Controller (64 Axes / CODESYS TV / NPN)
AX-864EP0MC1P	Basic Type Motion Controller (64 Axes / CODESYS TV / PNP)	AX-864EP0CC1T	Advanced Type Motion Controller (64 Axes / CODESYS TV / NPN)
AX-864EP0CC1P	Advanced Type Motion Controller (64 Axes / CODESYS TV / PNP)	AX-8H1E30CD2T	High-End Type Motion Controller (64 Axes / NPN)
PLC-Based Motion Controller AX-3 Series			
AX-304ELA0PA1T	Basic Type Motion Controller (4 Axes P2P / NPN)	AX-304ELA0PA1P	Basic Type Motion Controller (4 Axes P2P / PNP)
AX-308EA0MA1T	Basic Type Motion Controller (8 Axes / NPN)	AX-308EA0MA1P	Basic Type Motion Controller (8 Axes / PNP)
AX-316EA0MA1T	Basic Type Motion Controller (16 Axes / NPN)	AX-332EP0MB1T	Basic Type Motion Controller (32 Axes / NPN)
AX-364ELA0MA1T	Basic Type Motion Controller (64 Axes P2P / NPN)		



Smarter. Greener. Together.

## Industrial Automation Headquarters

### Taiwan: Delta Electronics, Inc.

Taoyuan Technology Center  
No.18, Xinglong Rd., Taoyuan District,  
Taoyuan City 33068, Taiwan  
TEL: +886-3-362-6301 / FAX: +886-3-371-6301

## Asia

### China: Delta Electronics (Shanghai) Co., Ltd.

No.182 Minyu Rd., Pudong Shanghai, P.R.C.  
Post code : 201209  
TEL: +86-21-6872-3988 / FAX: +86-21-6872-3996  
Customer Service: 400-820-9595

### Japan: Delta Electronics (Japan), Inc.

Industrial Automation Sales Department  
2-1-14 Shibadaimon, Minato-ku  
Tokyo, Japan 105-0012  
TEL: +81-3-5733-1155 / FAX: +81-3-5733-1255

### Korea: Delta Electronics (Korea), Inc.

1511, 219, Gasan Digital 1-Ro., Geumcheon-gu,  
Seoul, 08501 South Korea  
TEL: +82-2-515-5305 / FAX: +82-2-515-5302

### Singapore: Delta Energy Systems (Singapore) Pte Ltd.

4 Kaki Bukit Avenue 1, #05-04, Singapore 417939  
TEL: +65-6747-5155 / FAX: +65-6744-9228

### India: Delta Electronics (India) Pvt. Ltd.

Plot No.43, Sector 35, HSIIDC Gurgaon,  
PIN 122001, Haryana, India  
TEL: +91-124-4874900 / FAX: +91-124-4874945

### Thailand: Delta Electronics (Thailand) PCL.

909 Soi 9, Moo 4, Bangpoo Industrial Estate (E.P.Z),  
Pattana 1 Rd., T.Phraksa, A.Muang,  
Samutprakarn 10280, Thailand  
TEL: +66-2709-2800 / FAX: +66-2709-2827

### Australia: Delta Electronics (Australia) Pty Ltd.

Unit 2, Building A, 18-24 Ricketts Road,  
Mount Waverley, Victoria 3149 Australia  
Mail: IA.au@deltaww.com  
TEL: +61-1300-335-823 / +61-3-9543-3720

## Americas

### USA: Delta Electronics (Americas) Ltd.

5101 Davis Drive, Research Triangle Park, NC 27709, U.S.A.  
TEL: +1-919-767-3813

### Brazil: Delta Electronics Brazil Ltd.

Estrada Velha Rio-São Paulo, 5300 Eugênio de  
Melo - São José dos Campos CEP: 12247-004 - SP - Brazil  
TEL: +55-12-3932-2300 / FAX: +55-12-3932-237

### Mexico: Delta Electronics International Mexico S.A. de C.V.

Gustavo Baz No. 309 Edificio E PB 103  
Colonia La Loma, CP 54060  
Tlalnepantla, Estado de México  
TEL: +52-55-3603-9200

## EMEA

### EMEA Headquarters: Delta Electronics (Netherlands) B.V.

Sales: Sales.IA.EMEA@deltaww.com  
Marketing: Marketing.IA.EMEA@deltaww.com  
Technical Support: iatechnicalsupport@deltaww.com  
Customer Support: Customer-Support@deltaww.com  
Service: Service.IA.emea@deltaww.com  
TEL: +31(0)40 800 3900

### BENELUX: Delta Electronics (Netherlands) B.V.

Automotive Campus 260, 5708 JZ Helmond, The Netherlands  
Mail: Sales.IA.Benelux@deltaww.com  
TEL: +31(0)40 800 3900

### DACH: Delta Electronics (Netherlands) B.V.

Coesterweg 45, D-59494 Soest, Germany  
Mail: Sales.IA.DACH@deltaww.com  
TEL: +49 2921 987 238

### France: Delta Electronics (France) S.A.

ZI du bois Challand 2, 15 rue des Pyrénées,  
Lisses, 91090 Evry Cedex, France  
Mail: Sales.IA.FR@deltaww.com  
TEL: +33(0)1 69 77 82 60

### Iberia: Delta Electronics Solutions (Spain) S.L.U

Ctra. De Villaverde a Vallecas, 265 1º Dcha Ed.  
Hormigueras – P.I. de Vallecas 28031 Madrid  
TEL: +34(0)91 223 74 20

Carrer Llacuna 166, 08018 Barcelona, Spain

Mail: Sales.IA.Iberia@deltaww.com

### Italy: Delta Electronics (Italy) S.r.l.

Via Meda 2-22060 Novedrate(CO)  
Piazza Grazioli 18 00186 Roma Italy  
Mail: Sales.IA.Italy@deltaww.com  
TEL: +39 039 8900365

### Turkey: Delta Greentech Elektronik San. Ltd. Sti. (Turkey)

Şerifali Mah. Hendem Cad. Kule Sok. No:16-A  
34775 Ümraniye – İstanbul  
Mail: Sales.IA.Turkey@deltaww.com  
TEL: + 90 216 499 9910

### MEA: Eltek Dubai (Eltek MEA DMCC)

OFFICE 2504, 25th Floor, Saba Tower 1,  
Jumeirah Lakes Towers, Dubai, UAE  
Mail: Sales.IA.MEA@deltaww.com  
TEL: +971(0)4 2690148